

PNEUMATIC AND HYDRAULIC ROTARY ACTUATORS

The details make up a perfect actuator...



THE NEXT STEP
in actuator technology at airpower!



BENEFIT FROM OUR KNOW-HOW!

OUR GLOBAL SALES MARKET IS THE ENTIRE EUROPEAN REGION, SCANDINAVIA, THE NEAR AND MIDDLE EAST, AFRICA, ASIA AND SOUTH AMERICA.

THE PROFESSIONAL PROXIMITY TO YOU IS VERY IMPORTANT TO US.

Airpower in Dattenberg near Linz on the Rhine, located between Bonn and Koblenz, is your independent partner for pneumatic and electric quarter-turn actuators and of industrial valves for the process industry and plant engineering.

At the company headquarters, 5000 sqm were invested in 2019 in a new building complex with generous administration, storage and production areas.

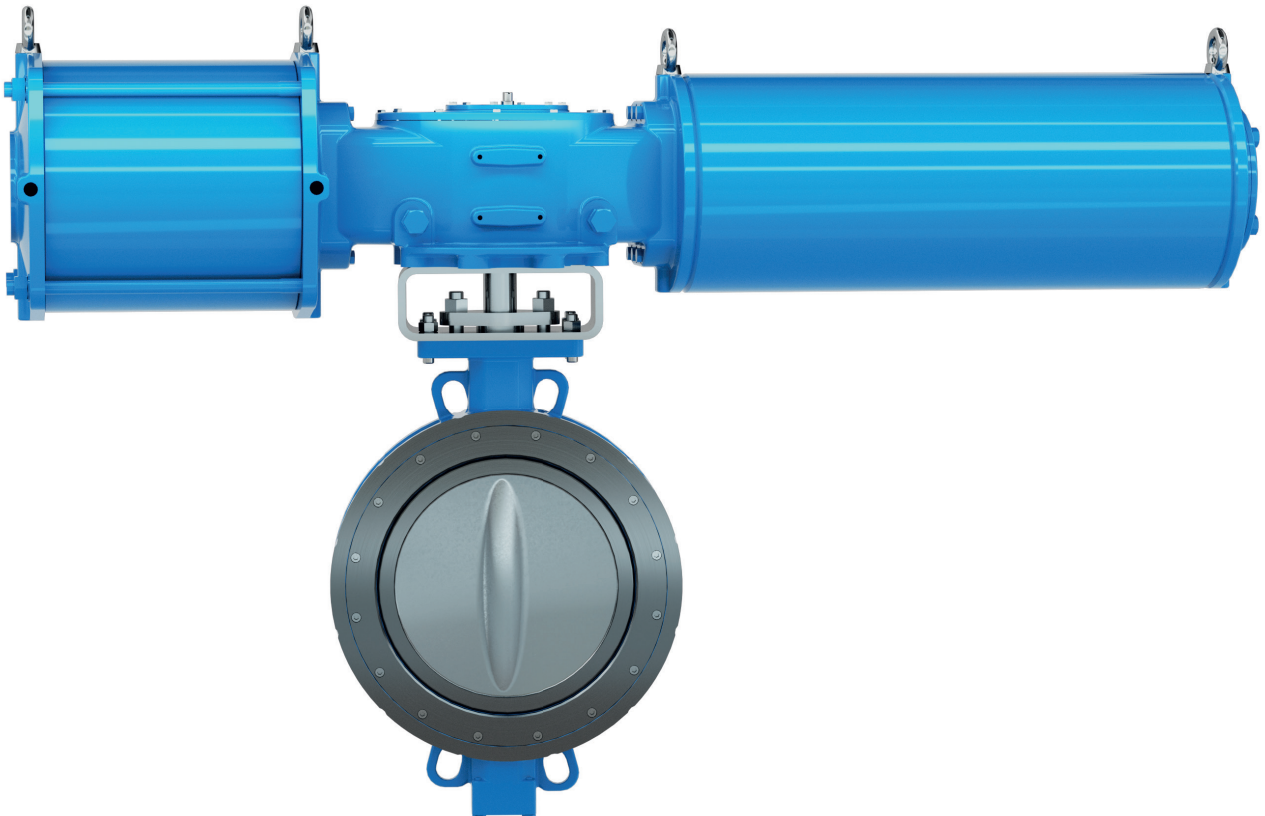
As an independent company, we offer you comprehensive and professional technical advice and support in engineering and customer service. Our technical support is geared to the specific project-related requirements, with the objective of offering the best possible cost-benefit ratio. We attach great importance to personal contact. We are committed to you! An experienced team ensures your absolute satisfaction. Sophisticated product technology, designed and produced in accordance with international standards and norms, guarantees absolute safety.

We have international approvals according to DIN EN ISO9001-2015, ATEX, SIL3, EAC etc.

Our employees, whether in sales, design, purchasing, production, assembly or warehousing, ensure a smooth and fast order throughput of every order.

We deliver far more than 10.000 pieces pneumatic actuators from 4-13.000 Nm from stock. Manually operated and fully automated industrial valves from nominal diameter DN10 - DN1400 complete our delivery program.

We also realize special designs with our design department according to your wishes. Thus, in addition to our standard actuators with 90° swivel angle, we supply actuators with 120°, 135°, 180° swivel angle, 3-position actuators (metering actuators), Scotch Yoke actuators and much more.



TECHNICAL DATA

CERTIFICATES

SIL3, CE, ATEX, EAC, UKCA

AIRPOWER SCOTCH YOKE SCHWENKANTRIEBE APY-S UND APY-A SERIE

With the new APY quarter turn actuator, we offer you a new actuator concept that is designed and produced in accordance with international standards and norms.

Benefit from our more than 35 years of experience in the areas of rotary actuators and automation.

APY DRIVE

The APY series is an extension of our product range for larger torque requirements for the automation of 90 ° valves. High reliability through the selection of high-quality materials in connection with a high level of corrosion protection guarantee use even under adverse conditions.

MAIN FEATURES

The APY actuator series is designed according to a modular system. The actuator essentially consists of a central part, a cylinder, and a spring module for the single-acting actuator. With the double-acting actuator, it is possible to equip the middle part with one or two cylinders. All connections according to ISO 5211 standard

TECHNICAL SPECIFICATIONS

The working medium is usually dry compressed air, inert gas or hydraulic oil.

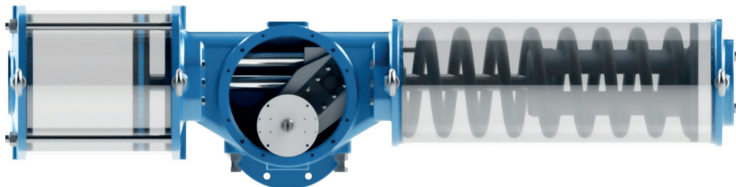
Max. Pneumatic control pressure: 10bar, medium oil, please inquire

Temperature ranges, standard: -35 ° C to + 80 ° C

High temperature: -20°C to +150°C
Low temperature: -55°C to +80°C

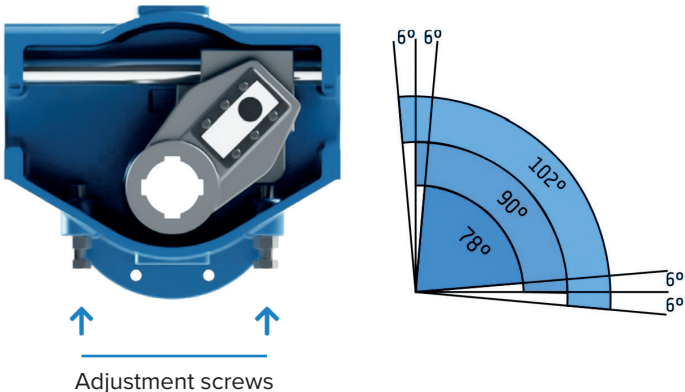
Double acting torques:
up to 240,000Nm

Single acting torques:
up to 146,000Nm



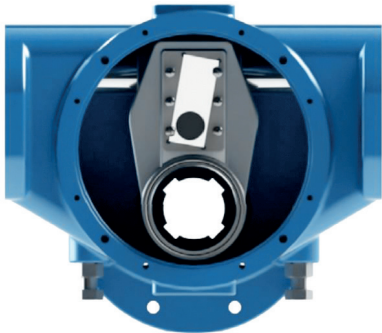
DRIVE ASSEMBLY

ROTATION ANGLE ADJUSTMENT

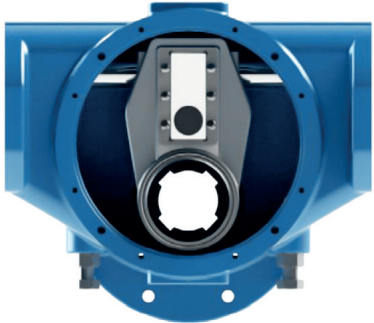


SWING SHAPES

Asymmetric swing arm APY-A for butterfly valves



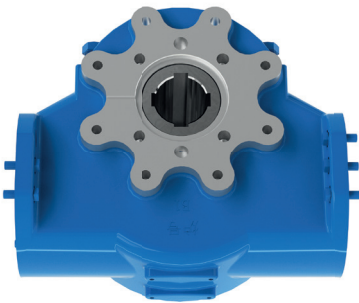
Symmetrical swing arm APY-S for ball valves and shut-off valves



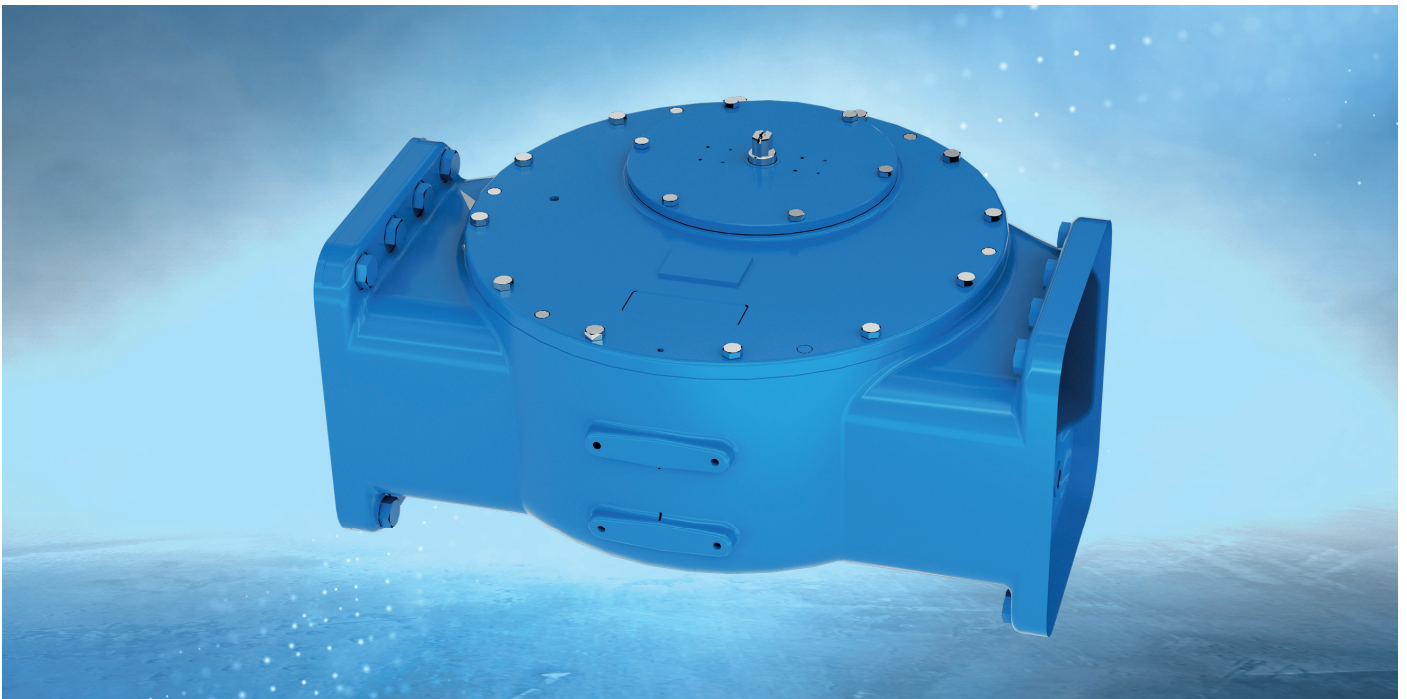
NAMUR INTERFACES

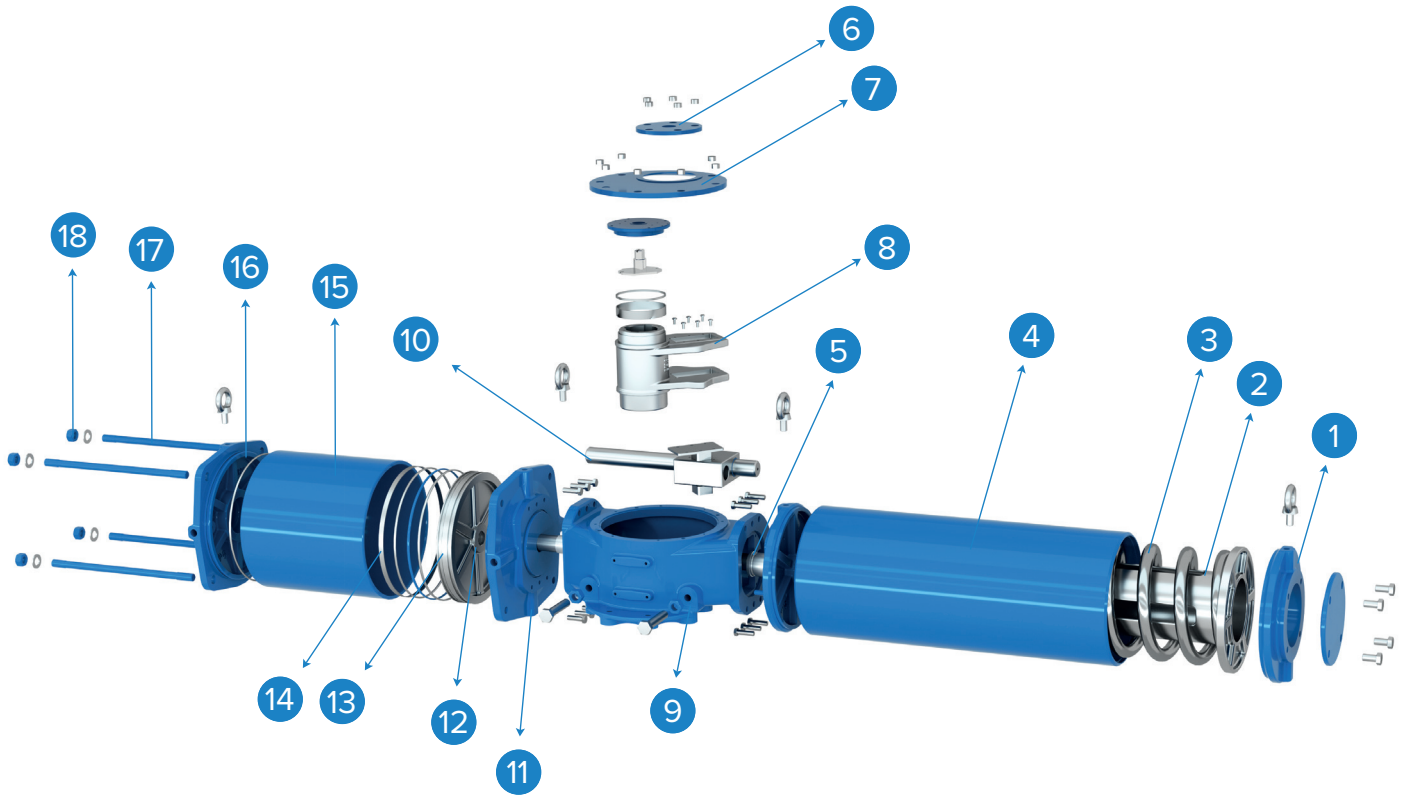


Interface NAMUR
VDI / VDE 3845 and 3847



Interface according to
ISO 5211





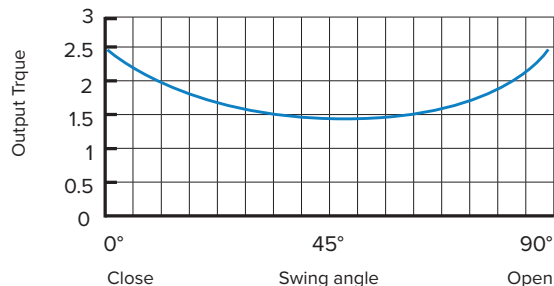
Nr.	Name	Pcs.	Material
1	Flange Cap	1	Steel
2	Spring guide	1	Steel
3	Spring	1	Steel
4	Spring body	1	Steel
5	Spring rod	1	Alloyed Steel
6	Visual display	1	Steel
7	Gearbox flap	1	Ductile iron
8	Yoke	1	Ductile iron
9	Body	1	Ductile iron
10	Actuator mechanism	1	Alloyed Steel
11	Cylinder seat	1	Ductile iron
12	O- Ring	1	NBR
13	Piston	1	Ductile iron
14	Guide ring	1	Plastic
15	Cylinder tube	1	Steel
16	Front cylinder cover	1	Ductile iron
17	Tension rods	n	Steel
18	Nuts	n	Steel

APY-S

**WITH SYMMETRICAL SWING ARM
FOR BALL VALVES, DOUBLE-ACTING**

TEMPERATURE RANGE:

ST= STANDARD (-40°C BIS +80°C)



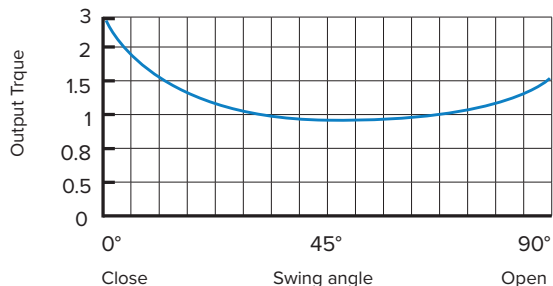
Model	3.5 Bar			4 Bar			5 Bar			6 Bar		
	0°	45°	90°	0°	45°	90°	0°	45°	90°	0°	45°	90°
APY-S-B06-201-D	1272	672	1272	1454	768	1454	1817	960	1817	2181	1152	2181
APY-S-B08-221-D	2013	1063	2013	2301	1215	2301	2876	1519	2876	3451	1822	3451
APY-S-B08-251-D	2600	1373	2600	2971	1569	2971	3713	1961	3713	4456	2353	4456
APY-S-B1-281-D	3836	2026	3836	4384	2315	4384	5481	2894	5481	6576	3473	6576
APY-S-B1-321-D	5011	2646	5011	5726	3024	5726	7157	3780	7157	8589	4536	8589
APY-S-B1-351-D	5994	3165	5994	6850	3618	6850	8563	4522	8563			
APY-S-B2-351-D	7193	3799	7193	8220	4341	8220	10275	5426	10275	12330	6511	12330
APY-S-B2-401-D	9395	4961	9395	10737	5670	10737	13421	7088	13421	16105	8505	16105
APY-S-B2-451-D	11890	6279	11890	13589	7176	13589	16986	8970	16986			
APY-S-B3-451-D	14367	7587	14367	16420	8671	16420	20524	10839	20524	24630	13007	24630
APY-S-B3-501-D	17737	9367	17737	20272	10705	20272	25339	13381	25339	30407	16058	30407
APY-S-B3-561-D	22250	11750	22250	25428	13428	25428	31785	16786	31785	38142	20142	38142
APY-S-B3-601-D	25541	13488	25541	29190	15415	29190	36488	19269	36488			
APY-S-B4-561-D	26853	14181	26853	30689	16207	30689	38362	20258	38362	46033	24310	46033
APY-S-B4-601-D	30826	16279	30826	35230	18604	35230	44037	23256	44037	52845	27907	52845
APY-S-B4-631-D	33986	17947	33986	38840	20511	38840	48551	25639	48551	58261	30767	58261
APY-S-B4-701-D	41958	22158	41958	47951	25323	47951	59940	31654	59940			
APY-S-B4-502-D	42814	22610	42814	48930	25840	48930	61163	32299	61163			
APY-S-B5-562-D	53706	28362	53706	61378	32413	61378						
APY-S-B5-801-D	54802	28940	54802	62631	33075	62631						
APY-S-B5-701-D	49869	26336	49869	56994	30098	56994	71243	37623	71243	85491	45147	85491
APY-S-B5-562-D	63833	33710	63833	72952	38525	72952	91190	48157	91190	109428	57788	109428
APY-S-B6-801-D	65136	34398	65136	74441	39312	74441	93051	49139	93051	111662	58968	111662
APY-S-B5-602-D	73278	38697	73278	83746	44226	83746	104683	55282	104683	125619	66338	125619
APY-S-B5-632-D	80789	42664	80789	92330	48759	92330	115413	60948	115413			
APY-S-B6-901-D	82438	43535	82438	94215	49754	94215	117768	62192	117768			
APY-S-B6-702-D	99740	52671	99740	113988	60196	113988						
APY-S-B6-1001-D	101775	53746	101775	116314	61424	116314						
APY-S-B6-901-D	110974	58604	110974	126828	66976	126828	158534	83720	158534	190230	100459	190230
APY-S-B6-702-D	134265	70904	134265	153446	81033	153446	191807	101291	191807	230168	121550	230168
APY-S-B6-1001-D	137005	72351	137005	156577	82687	156577	195722	103359	195722	234866	124030	234866
APY-S-B6-802-D	175366	92609	175366	200418	105839	200418	250523	132298	250523			
APY-S-B6-902-D	221948	117209	221948	253654	133952	253654						

APY-A

**WITH ASYMMETRIC SWING ARM
FOR BUTTERFLY VALVES, DOUBLE-ACTING**

TEMPERATURE RANGE:

ST= STANDARD (-40°C BIS +80°C)



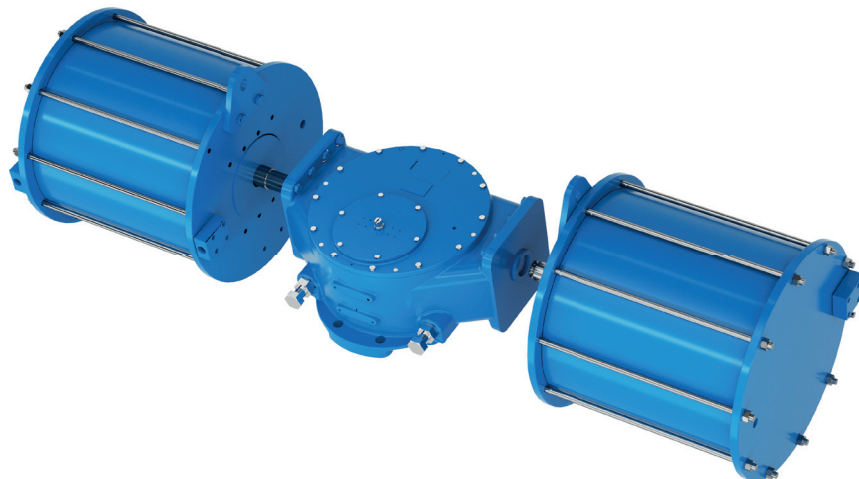
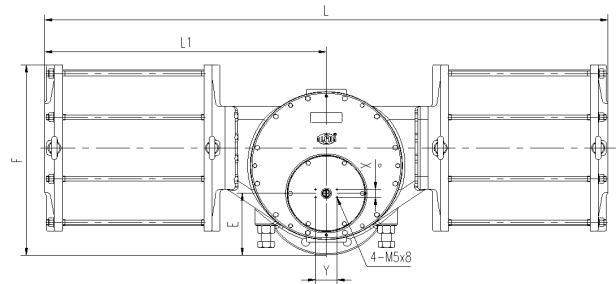
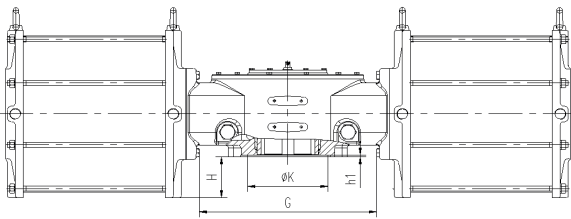
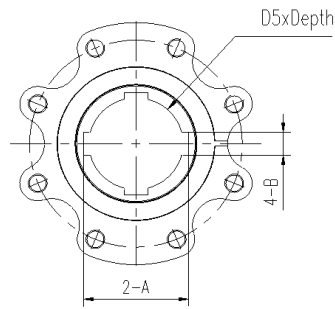
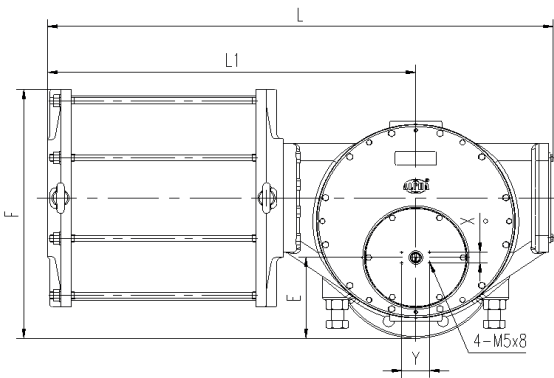
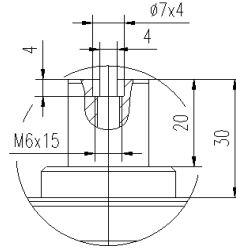
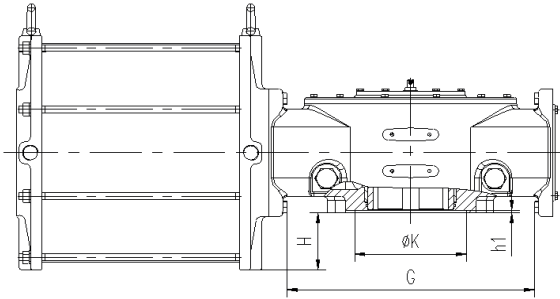
Model	3.5 Bar			4 Bar			5 Bar			6 Bar		
	0°	45°	90°	0°	45°	90°	0°	45°	90°	0°	45°	90°
APY-A-C06-201-D	1531	661	1073	1750	756	1227	2187	944	1534			
APY-A-C08-221-D	2422	1046	1698	2768	1195	1941	3460	1495	2426	4152	1794	2912
APY-A-C08-251-D	3128	1351	2193	3575	1544	2506	4468	1930	3133			
APY-A-C1-281-D	4616	1993	3236	5275	2278	3699	6594	2848	4624	7914	3418	5548
APY-A-C1-321-D	6030	2604	4228	6891	2976	4831	8614	3719	6039			
APY-A-C1-351-D	7213	3114	5057	8243	3559	5780						
APY-A-C2-351-D	8655	3738	6069	9892	4272	6936	12364	5340	8669	14838	6407	10403
APY-A-C2-401-D	11305	4882	7926	12920	5580	9058	16149	6975	11323	19380	8369	13588
APY-A-C3-451-D	17288	7466	12122	19759	8533	13853	24698	10666	17317	29638	12799	20779
APY-A-C3-501-D	21344	9128	14965	24393	10534	17103	30491	13167	21379	36589	15801	25654
APY-A-C3-561-D	26774	11563	18772	30599	13214	21454						
APY-A-C3-601-D	30735	13273	21549	35126	15169	24628						
APY-A-C4-561-D	32313	13955	22655	36929	15948	25892	46162	19935	32365	55394	23922	38839
APY-A-C4-601-D	37094	16019	26007	42393	18308	29723	52992	22885	37154	63590	27461	44585
APY-A-C4-631-D	40897	17661	28673	46739	20184	32770	58423	25230	40962			
APY-A-C4-701-D	50489	21804	35400	57702	24919	40457						
APY-A-C4-502-D	51519	22249	36122	58880	25427	41282						
APY-A-C5-701-D	60010	25916	42067	68583	29618	48086	85730	37022	60107	102875	44427	72128
APY-A-C5-562-D	76814	33171	53856	87787	37910	61550	109733	47389	76937	131680	56865	92325
APY-A-C5-801-D	78381	33849	54955	89578	38684	62805	111973	48355	78507	134367	57101	94208
APY-A-C5-602-D	88179	38079	61824	100775	43519	70656	125969	54400	88320			
APY-A-C5-632-D	97216	41983	68161	111105	47981	77899						
APY-A-C5-901-D	99201	42840	69553	113372	48960	79488						
APY-A-C6-801-D	105512	45566	73978	120586	52075	84546	150732	65093	105682	180879	78113	126819
APY-A-C6-901-D	133539	57669	93629	152616	65907	107004	190771	82384	133754	228925	98861	160505
APY-A-C6-702-D	161566	69773	113278	184647	79740	129461	230809	99675	161827			
APY-A-C6-1001-D	164863	71196	115590	188416	81368	132103	235519	101709	165129			
APY-A-C6-802-D	211025	91131	147955	241171	104150	169092						

APY-S/A

DOUBLE ACTING

Typ	L	L1	E	F	G	H	D5	A	B	X*Y	Connection ISO 5211	Air supply
	mm											
APY-S/A-06-201-D	645	470	100	285	270	35	φ48*65	55,6	14	30*80	F14	3/8"NPT(G)
APY-S/A-08-221-D	765	565	110	320	320	35	φ60*100	68,8	18	30*80	F16	1/2"NPT(G)
APY-S/A-08-251-D	765	565	110	335	320	50	φ60*100	68,8	18	30*80	F16	1/2"NPT(G)
APY-S/A-1-281-D	900	660	155	420	380	65	φ72*120	81,8	20	30*80/130	F25/F16	1/2"NPT(G)
APY-S/A-1-321-D	900	670	155	435	380	80	φ72*120	81,8	20	30*80/130	F25/F16	1/2"NPT(G)
APY-S/A-1-351-D	910	680	155	460	380	100	φ72*120	81,8	20	30*80/130	F25/F16	3/4"NPT(G)
APY-S/A-2-351-D	1060	785	180	505	455	90	φ100*150	112,8	28	30*80/130	F30/F25	3/4"NPT(G)
APY-S/A-2-401-D	1070	790	180	525	455	115	φ100*150	112,8	28	30*80/130	F30/F25	1"NPT(G)
APY-S/A-2-451-D	1085	805	180	560	455	150	φ100*150	112,8	28	30*80/130	F30/F25	1"NPT(G)
APY-S/A-3-451-D	1280	945	210	620	570	120	φ160*200	178,8	40	30*80/130	F35/F30	1"NPT(G)
APY-S/A-3-501-D	1280	945	210	645	570	150	φ160*200	178,8	40	30*80/130	F35/F30	1"NPT(G)
APY-S/A-3-561-D	1280	960	210	680	570	180	φ160*200	178,8	40	30*80/130	F35/F30	1"NPT(G)
APY-S/A-3-601-D	1280	935	210	710	570	215	φ160*200	178,8	40	30*80/130	F35/F30	1"NPT(G)
APY-A-4-561-D	1450	1050	240	740	650	160	φ180*220	200,8	45	30*80/130	F40	1"NPT(G)
APY-S/A-4-601-D	1470	1080	240	770	650	190	φ180*220	200,8	45	30*80/130	F40	1"NPT(G)
APY-S/A-4-631-D	1470	1080	240	790	650	205	φ180*220	200,8	45	30*80/130	F40	1"NPT(G)
APY-S/A-4-701-D	1500	1105	240	820	650	240	φ180*220	200,8	45	30*80/130	F40	1 1/2"NPT(G)
APY-S-4-801-D	1500	1105	240	910	650	290	φ180*220	200,8	45	30*80/130	F40	1 1/2"NPT(G)
APY-S/A-4-502-D	2120	1060	240	705	650	125	φ180*220	200,8	45	30*80/130	F40	1"NPT(G)
APY-S-4-562-D	2120	1050	240	740	650	160	φ180*220	200,8	45	30*80/130	F40	1"NPT(G)
APY-S/A-5-701-D	1800	1305	290	930	890	205	φ220*250	242,8	50	30*130	F48/F40	1 1/2"NPT(G)
APY-S/A-5-801-D	1800	1305	290	980	890	255	φ220*250	242,8	50	30*130	F48/F40	1 1/2"NPT(G)
APY-S/A-5-901-D	1820	1325	290	1030	890	305	φ220*250	242,8	50	30*130	F48/F40	2"NPT(G)
APY-S-5-1001-D	1820	1325	290	1080	890	355	φ220*250	242,8	50	30*130	F48/F40	2"NPT(G)
APY-S/A-5-562-D	2630	1315	290	855	890	135	φ220*250	242,8	50	30*130	F48/F40	1"NPT(G)
APY-S/A-5-602-D	2630	1315	290	875	890	155	φ220*250	242,8	50	30*130	F48/F40	1"NPT(G)
APY-S/A-5-632-D	2630	1315	290	890	890	170	φ220*250	242,8	50	30*130	F48/F40	1"NPT(G)
APY-S-5-702-D	2630	1315	290	930	890	205	φ220*250	242,8	50	30*130	F48/F40	1 1/2"NPT(G)
APY-A6-801-D	2200	1560	350	1040	1000	255	φ280*320	304,8	63	30*130	F60/F48	1 1/2"NPT(G)
APY-S/A-6-901-D	2200	1560	350	1090	1000	305	φ280*320	304,8	63	30*130	F60/F48	2"NPT(G)
APY-S/A-6-1001-D	2200	1560	350	1140	1000	355	φ280*320	304,8	63	30*130	F60/F48	2"NPT(G)
APY-S/A-6-702-D	3100	1560	350	990	1000	205	φ280*320	304,8	63	30*130	F60/F48	1 1/2"NPT(G)
APY-S/A-6-802-D	3100	1560	350	1040	1000	255	φ280*320	304,8	63	30*130	F60/F48	1 1/2"NPT(G)
APY-S-6-902-D	3100	1560	350	1090	1000	305	φ280*320	304,8	63	30*130	F60/F48	2"NPT(G)

APY-S/A ACTUATOR, DOUBLE-ACTING



APY-S

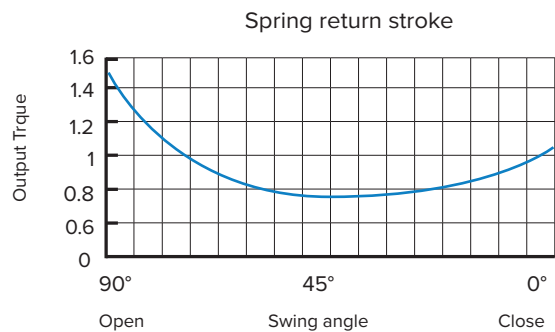
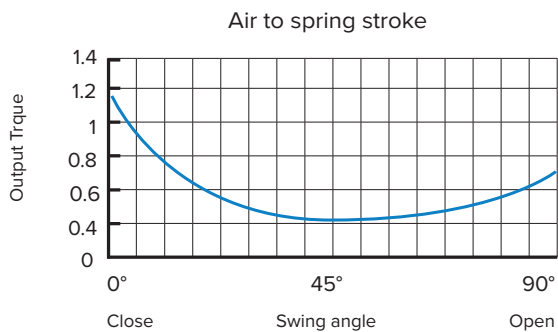
**WITH SYMMETRICAL SWING ARM,
SINGLE-ACTING WITH SPRING RETURN,
SPRING "CLOSED"**

TEMPERATURE RANGE:

ST= STANDARD (-40°C TO +80°C)

Model	Air 4 Bar			Spring			Air 5 Bar			Spring			Air 6 Bar			Spring		
	0°	45°	90°	90°	45°	0°	0°	45°	90°	90°	45°	0°	0°	45°	90°	90°	45°	0°
APY-S-BA8-S68	930	370	579	875	398	525	1293	562	943	875	398	525	1656	753	1306	875	398	525
APY-S-B06-201-S-C5							1175	474	745	1072	485	643	1538	666	1109	1072	485	643
APY-S-B06-201-S-C6													1391	552	864	1317	600	789
APY-S-B06-221-S-C4	1117	443	688	1072	485	643	1557	675	1127	1072	485	643	1996	909	1567	1072	485	643
APY-S-B06-221-S-C5							1410	561	882	1317	600	789	1850	794	1322	1317	600	789
APY-S-B06-221-S-C6													1670	658	1022	1616	736	968
APY-S-B08-221-S-C4	1465	580	902	1399	635	835	2040	883	1477	1399	635	835	2615	1187	2052	1399	635	835
APY-S-B08-221-S-C5							1852	740	1148	1728	778	1023	2427	1044	1723	1728	778	1023
APY-S-B08-221-S-C6													2155	836	1266	2184	986	1296
APY-S-B08-251-S-C4	1948	790	1243	1728	778	1023	2690	1182	1985	1728	778	1023	3433	1575	2738	1728	778	1023
APY-S-B08-251-S-C5							2417	975	1529	2184	986	1296	3160	1367	2272	2184	986	1296
APY-S-B08-251-S-C6													2833	1118	1716	2741	1235	1624
APY-S-B08-281-S-C4	2430	982	1542	2184	986	1296	3362	1474	2474	2184	986	1296	4294	1966	3406	2184	986	1296
APY-S-B08-281-S-C5							3035	1225	1918	2741	1235	1624	3966	1717	2850	2741	1235	1624
APY-S-B08-281-S-C6													3502	1364	2071	3519	1588	2088
APY-S-B1-281-S-C4	2806	1092	1730	2654	1223	1578	3903	1671	2827	2654	1223	1578	4999	2250	3922	2654	1223	1578
APY-S-B1-281-S-C5							3456	1304	2074	3407	1590	2025	4551	1883	3170	3407	1590	2025
APY-S-B1-281-S-C6													4119	1546	2433	4133	1927	2457
APY-S-B1-321-S-C4	3701	1434	2320	3407	1590	2025	5132	2189	3751	3407	1590	2025	6564	2946	5183	3407	1590	2025
APY-S-B1-321-S-C5							4700	1853	3025	4133	1927	2457	6132	2609	4457	4133	1927	2457
APY-S-B1-321-S-C6													5436	2069	3283	5306	2467	3154
APY-S-B1-351-S-C4	4393	1691	2718	4133	1927	2457	6106	2595	4430	4133	1927	2457	7818	3499	6142	4133	1927	2457
APY-S-B1-351-S-C5							5409	2055	3256	5306	2467	3154	7121	2959	4969	5306	2467	3154
APY-S-B1-351-S-C6													6366	2397	3701	6575	3029	3909
APY-S-B1-401-S-C4	5794	2258	3641	5306	2467	3154	8030	3439	5877	5306	2467	3154	10268	4620	8115	5306	2467	3154
APY-S-B1-401-S-C5							7275	2877	4609	6575	3029	3909	9513	4059	6847	6575	3029	3909
APY-S-B1-401-S-C6													8815	3518	5673	7748	3569	4606
APY-S-B2-401-S-C4	6889	2728	4242	6495	2943	3848	9574	4145	6926	6495	2943	3848	12258	5563	9610	6495	2943	3848
APY-S-B2-401-S-C5							8510	3332	5195	8226	3755	4911	11194	4750	7879	8226	3755	4911
APY-S-B2-401-S-C6													10164	3961	6075	10031	4544	5942
APY-S-B2-451-S-C4	8677	3421	5363	8226	3755	4911	12074	5215	8760	8226	3755	4911	15471	7009	12157	8226	3755	4911
APY-S-B2-451-S-C5							11044	4426	6955	10031	4544	5942	14441	6220	10352	10031	4544	5942
APY-S-B2-451-S-C6													13377	5407	8577	11805	5357	7006
APY-S-B3-451-S-C4	10530	4107	6477	9942	4564	5890	14635	6274	10582	9942	4564	5890	18740	8442	14688	9942	4564	5890
APY-S-B3-451-S-C5							13261	5209	8359	12165	5629	7263	17367	7377	12465	12165	5629	7263

SINGLE-ACTING SCOTCH YOKE ACTUATOR, TYPE APY-S



Model	Air 4 Bar			Spring			Air 5 Bar			Spring			Air 6 Bar			Spring		
	0°	45°	90°	90°	45°	0°	0°	45°	90°	90°	45°	0°	0°	45°	90°	90°	45°	0°
APY-S-B3-451-S-C6													15849	6202	9808	14822	6805	8780
APY-S-B3-501-S-C4	13009	5076	8106	12165	5629	7263	18076	7752	13174	12165	5629	7263	23144	10428	18242	12165	5629	7263
APY-S-B3-501-S-C5							16559	6577	10517	14822	6805	8780	21626	9253	15585	14822	6805	8780
APY-S-B3-501-S-C6													19316	7462	11718	18689	8595	11091
APY-S-B3-561-S-C4	16648	6624	10606	14822	6805	8780	23005	9981	16963	14822	6805	8780	29361	13338	23320	14822	6805	8780
APY-S-B3-561-S-C5							20695	8191	13097	18689	8595	11091	27051	11547	19453	18689	8595	11091
APY-S-B3-561-S-C6													24825	9822	15663	22479	10320	13316
APY-S-B3-631-S-C4	21092	8400	13494	18689	8595	11091	29137	12649	21540	18689	8595	11091	37183	16898	29585	18689	8595	11091
APY-S-B3-631-S-C5							26912	10924	17749	22479	10320	13316	34957	15173	25794	22479	10320	13316
APY-S-B3-631-S-C6													31361	12520	19773	28500	12973	16913
APY-S-B4-631-S-C4	25135	9863	15705	23135	10648	13705	34846	14991	25416	23135	10648	13705	44556	20119	35126	23135	10648	13705
APY-S-B4-631-S-C5							31418	12328	19853	28698	13312	17133	41128	17456	29563	28698	13312	17133
APY-S-B4-631-S-C6													36083	13536	20823	37438	17231	22178
APY-S-B4-701-S-C4	30818	12011	19253	28698	13312	17133	42806	18342	31241	28698	13312	17133	54794	24672	43229	28698	13312	17133
APY-S-B4-701-S-C5							37762	14423	22502	37438	17231	22178	49749	20753	34489	37438	17231	22178
APY-S-B4-701-S-C6													44205	16446	25212	46715	21538	27722
APY-S-B4-801-S-C4	40453	15844	25193	37438	17231	22178	56111	24113	40851	37438	17231	22178	71769	32381	56508	37438	17231	22178
APY-S-B4-801-S-C5							50567	19805	31573	46715	21538	27722	66225	28074	47231	46715	21538	27722
APY-S-B4-801-S-C6													60680	23766	37791	56156	25846	33267
APY-S-B5-801-S-C4	47874	19378	30066	44375	19934	26567	66484	29206	48676	44375	19934	26567	85095	39034	67287	44375	19934	26567
APY-S-B5-801-S-C5							59587	24031	37325	55726	25108	33464	78198	33859	55936	55726	25108	33464
APY-S-B5-801-S-C6													69840	27588	42052	69610	31379	41822
APY-S-B5-901-S-C4	60751	24646	38488	55726	25108	33464	84305	37084	62042	55726	25108	33464	107858	49522	85596	55726	25108	33464
APY-S-B5-901-S-C5							75946	30813	48159	69610	31379	41822	99500	43251	71713	69610	31379	41822
APY-S-B5-901-S-C6													91633	37189	58661	82661	37442	49689
APY-S-B6-801-S-C4	64198	25420	39711	60499	27499	36012	89250	38651	64762	60499	27499	36012	114302	51880	89815	60499	27499	36012
APY-S-B6-801-S-C5							79574	31245	48840	76422	34905	45688	104626	44474	73892	76422	34905	45688
APY-S-B6-801-S-C6													93192	35721	54494	95820	43658	57122
APY-S-B6-901-S-C4	81140	32072	50406	76422	34905	45688	112846	48815	82112	76422	34905	45688	144543	65554	113809	76422	34905	45688
APY-S-B6-901-S-C5							101412	40062	62714	95820	43658	57122	133108	56801	94410	95820	43658	57122
APY-S-B6-901-S-C6													119592	46455	71894	118337	54004	70638
APY-S-B6-1001-S-C4	99455	39029	60757	95820	43658	57122	138600	59701	99901	95820	43658	57122	177744	80372	139045	95820	43658	57122
APY-S-B6-1001-S-C5							125083	49354	77385	118337	54004	70638	164227	70026	116529	118337	54004	70638
APY-S-B6-1001-S-C6													150040	59205	92433	142432	64826	84826

APY-S

**WITH SYMMETRICAL SWING ARM,
SINGLE-ACTING WITH SPRING RETURN,
SPRING "OPEN"**

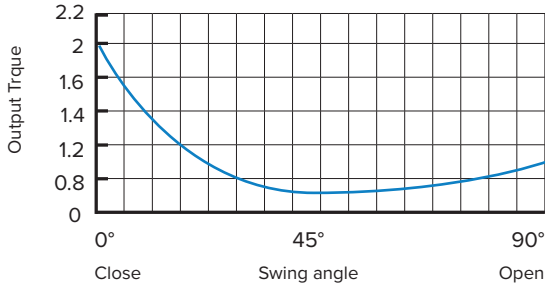
TEMPERATURE RANGE:

ST= STANDARD (-40°C TO +80°C)

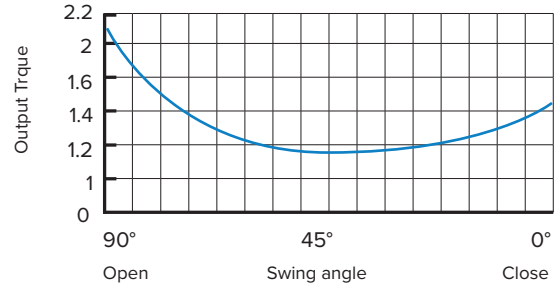
Model	Air 4 Bar			Spring			Air 5 Bar			Spring			Air 6 Bar			Spring		
	90°	45°	0°	0°	45°	90°	90°	45°	0°	0°	45°	90°	90°	45°	0°	0°	45°	90°
APY-S-B06-201-S-O4	930	370	579	875	398	525	1293	562	943	875	398	525	1656	753	1306	875	398	525
APY-S-B06-201-S-O5							1175	474	745	1072	485	643	1538	666	1109	1072	485	643
APY-S-B06-201-S-O6													1391	552	864	1317	600	789
APY-S-B06-221-S-O4	1117	443	688	1072	485	643	1557	675	1127	1072	485	643	1996	909	1567	1072	485	643
APY-S-B06-221-S-O5							1410	561	882	1317	600	789	1850	794	1322	1317	600	789
APY-S-B06-221-S-O6													1670	658	1022	1616	736	968
APY-S-B08-221-S-O4	1465	580	902	1399	635	835	2040	883	1477	1399	635	835	2615	1187	2052	1399	635	835
APY-S-B08-221-S-O5							1852	740	1148	1728	778	1023	2427	1044	1723	1728	778	1023
APY-S-B08-221-S-O6													2155	836	1266	2184	986	1296
APY-S-B08-251-S-O4	1948	790	1243	1728	778	1023	2690	1182	1985	1728	778	1023	3433	1575	2738	1728	778	1023
APY-S-B08-251-S-O5							2417	975	1529	2184	986	1296	3160	1367	2272	2184	986	1296
APY-S-B08-251-S-O6													2833	1118	1716	2741	1235	1624
APY-S-B08-281-S-O4	2430	982	1542	2184	986	1296	3362	1474	2474	2184	986	1296	4294	1966	3406	2184	986	1296
APY-S-B08-281-S-O5							3035	1225	1918	2741	1235	1624	3966	1717	2850	2741	1235	1624
APY-S-B08-281-S-O6													3502	1364	2071	3519	1588	2088
APY-S-B1-281-S-O4	2806	1092	1730	2654	1223	1578	3903	1671	2827	2654	1223	1578	4999	2250	3922	2654	1223	1578
APY-S-B1-281-S-O5							3456	1304	2074	3407	1590	2025	4551	1883	3170	3407	1590	2025
APY-S-B1-281-S-O6													4119	1546	2433	4133	1927	2457
APY-S-B1-321-S-O4	3701	1434	2320	3407	1590	2025	5132	2189	3751	3407	1590	2025	6564	2946	5183	3407	1590	2025
APY-S-B1-321-S-O5							4700	1853	3025	4133	1927	2457	6132	2609	4457	4133	1927	2457
APY-S-B1-321-S-O6													5436	2069	3283	5306	2467	3154
APY-S-B1-351-S-O4	4393	1691	2718	4133	1927	2457	6106	2595	4430	4133	1927	2457	7818	3499	6142	4133	1927	2457
APY-S-B1-351-S-O5							5409	2055	3256	5306	2467	3154	7121	2959	4969	5306	2467	3154
APY-S-B1-351-S-O6													6366	2397	3701	6575	3029	3909
APY-S-B1-401-S-O4	5794	2258	3641	5306	2467	3154	8030	3439	5877	5306	2467	3154	10268	4620	8115	5306	2467	3154
APY-S-B1-401-S-O5							7275	2877	4609	6575	3029	3909	9513	4059	6847	6575	3029	3909
APY-S-B1-401-S-O6													8815	3518	5673	7748	3569	4606
APY-S-B2-401-S-O4	6889	2728	4242	6495	2943	3848	9574	4145	6926	6495	2943	3848	12258	5563	9610	6495	2943	3848
APY-S-B2-401-S-O5							8510	3332	5195	8226	3755	4911	11194	4750	7879	8226	3755	4911
APY-S-B2-401-S-O6													10164	3961	6075	10031	4544	5942
APY-S-B2-451-S-O4	8677	3421	5363	8226	3755	4911	12074	5215	8760	8226	3755	4911	15471	7009	12157	8226	3755	4911
APY-S-B2-451-S-O5							11044	4426	6955	10031	4544	5942	14441	6220	10352	10031	4544	5942
APY-S-B2-451-S-O6													13377	5407	8577	11805	5357	7006
APY-S-B3-451-S-O4	10530	4107	6477	9942	4564	5890	14635	6274	10582	9942	4564	5890	18740	8442	14688	9942	4564	5890
APY-S-B3-451-S-O5							13261	5209	8359	12165	5629	7263	17367	7377	12465	12165	5629	7263
APY-S-B3-451-S-O6													15849	6202	9808	14822	6805	8780

SINGLE-ACTING SCOTCH YOKE ACTUATOR, TYPE APY-S

Air to spring stroke



Spring return stroke



Model	Air 4 Bar			Spring			Air 5 Bar			Spring			Air 6 Bar			Spring		
	90°	45°	0°	0°	45°	90	90°	45°	0°	0°	45°	90°	90°	45°	0°	0°	45°	90°
APY-S-B3-501-S-O4	13009	5076	8106	12165	5629	7263	18076	7752	13174	12165	5629	7263	23144	10428	18242	12165	5629	7263
APY-S-B3-501-S-O5							16559	6577	10517	14822	6805	8780	21626	9253	15585	14822	6805	8780
APY-S-B3-501-S-O6													19316	7462	11718	18689	8595	11091
APY-S-B3-561-S-O4	16648	6624	10606	14822	6805	8780	23005	9981	16963	14822	6805	8780	29361	13338	23320	14822	6805	8780
APY-S-B3-561-S-O5							20695	8191	13097	18689	8595	11091	27051	11547	19453	18689	8595	11091
APY-S-B3-561-S-O6													24825	9822	15663	22479	10320	13316
APY-S-B3-631-S-O4	21092	8400	13494	18689	8595	11091	29137	12649	21540	18689	8595	11091	37183	16898	29585	18689	8595	11091
APY-S-B3-631-S-O5							26912	10924	17749	22479	10320	13316	34957	15173	25794	22479	10320	13316
APY-S-B3-631-S-O6													31361	12520	19773	28500	12973	16913
APY-S-B4-631-S-O4	25135	9863	15705	23135	10648	13705	34846	14991	25416	23135	10648	13705	44556	20119	35126	23135	10648	13705
APY-S-B4-631-S-O5							31418	12328	19853	28698	13312	17133	41128	17456	29563	28698	13312	17133
APY-S-B4-631-S-O6													36083	13536	20823	37438	17231	22178
APY-S-B4-701-S-O4	30818	12011	19253	28698	13312	17133	42806	18342	31241	28698	13312	17133	54794	24672	43229	28698	13312	17133
APY-S-B4-701-S-O5							37762	14423	22502	37438	17231	22178	49749	20753	34489	37438	17231	22178
APY-S-B4-701-S-O6													44205	16446	25212	46715	21538	27722
APY-S-B4-801-S-O4	40453	15844	25193	37438	17231	22178	56111	24113	40851	37438	17231	22178	71769	32381	56508	37438	17231	22178
APY-S-B4-801-S-O5							50567	19805	31573	46715	21538	27722	66225	28074	47231	46715	21538	27722
APY-S-B4-801-S-O6													60680	23766	37791	56156	25846	33267
APY-S-B5-801-S-O4	47874	19378	30066	44375	19934	26567	66484	29206	48676	44375	19934	26567	85095	39034	67287	44375	19934	26567
APY-S-B5-801-S-O5							59587	24031	37325	55726	25108	33464	78198	33859	55936	55726	25108	33464
APY-S-B5-801-S-O6													69840	27588	42052	69610	31379	41822
APY-S-B5-901-S-O4	60751	24646	38488	55726	25108	33464	84305	37084	62042	55726	25108	33464	107858	49522	85596	55726	25108	33464
APY-S-B5-901-S-O5							75946	30813	48159	69610	31379	41822	99500	43251	71713	69610	31379	41822
APY-S-B5-901-S-O6													91633	37189	58661	82661	37442	49689
APY-S-B6-801-S-O4	64198	25420	39711	60499	27499	36012	89250	38651	64762	60499	27499	36012	114302	51880	89815	60499	27499	36012
APY-S-B6-801-S-O5							79574	31245	48840	76422	34905	45688	104626	44474	73892	76422	34905	45688
APY-S-B6-801-S-O6													93192	35721	54494	95820	43658	57122
APY-S-B6-901-S-O4	81140	32072	50406	76422	34905	45688	112846	48815	82112	76422	34905	45688	144543	65554	113809	76422	34905	45688
APY-S-B6-901-S-O5							101412	40062	62714	95820	43658	57122	133108	56801	94410	95820	43658	57122
APY-S-B6-901-S-O6													119592	46455	71894	118337	54004	70638
APY-S-B6-1001-SOC4	99455	39029	60757	95820	43658	57122	138600	59701	99901	95820	43658	57122	177744	80372	139045	95820	43658	57122
APY-S-B6-1001-SOC5							125083	49354	77385	118337	54004	70638	164227	70026	116529	118337	54004	70638
APY-S-B6-1001-SOC6													150040	59205	92433	142432	64826	84826

APY-A

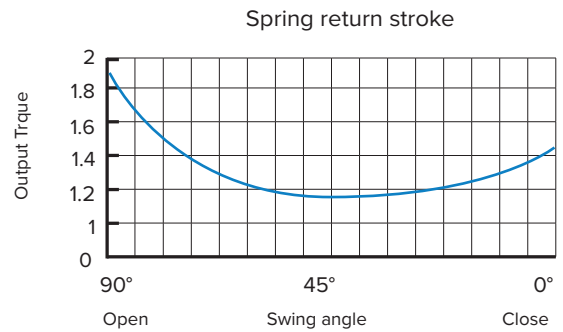
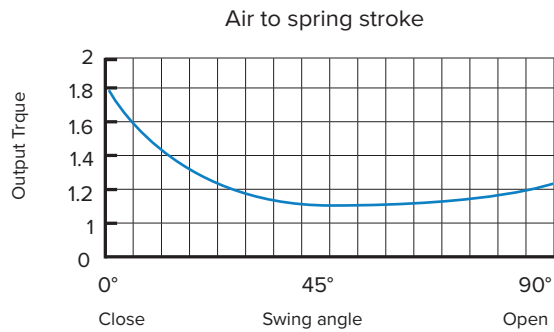
**WITH ASYMMETRICAL SWING ARM,
SINGLE-ACTING WITH SPRING RETURN,
SPRING "CLOSED"**

TEMPERATURE RANGE:

ST= STANDARD (-40°C TO +80°C)

Model	Air 4 Bar			Spring			Air 5 Bar			Spring			Air 6 Bar			Spring		
	0°	45°	90°	90°	45°	0°	0°	45°	90°	90°	45°	0°	0°	45°	90°	90°	45°	0°
APY-A-C06-201-S-C4	927	290	316	911	466	823	1364	478	623	911	466	823	1801	667	929	911	466	823
APY-A-C06-201-S-C5							1177	369	414	1119	576	1010	1614	557	721	1119	576	1010
APY-A-C06-201-S-C6													1384	427	466	1374	706	1240
APY-A-C06-221-S-C4	1107	338	365	1119	576	1010	1636	567	736	1119	576	1010	2165	796	1107	1119	576	1010
APY-A-C06-221-S-C5							1407	436	482	1374	706	1240	1936	666	853	1374	706	1240
APY-A-C06-221-S-C6													1655	506	540	1687	866	1521
APY-A-C08-221-S-C4	1458	448	472	1469	747	1310	2151	748	957	1469	747	1310	2843	1046	1443	1469	747	1310
APY-A-C08-221-S-C5							1801	548	569	1857	946	1659	2494	847	1055	1857	946	1659
APY-A-C08-221-S-C6													2074	608	582	2329	1186	2078
APY-A-C08-251-S-C4	1916	597	650	1857	946	1659	2809	983	1277	1857	946	1659	3703	1370	1903	1857	946	1659
APY-A-C08-251-S-C5							2390	744	804	2329	1186	2078	3284	1131	1430	2329	1186	2078
APY-A-C08-251-S-C6													2690	791	768	2991	1525	2673
APY-A-C08-281-S-C4	2406	751	815	2329	1186	2078	3527	1235	1601	2329	1186	2078	4649	1719	2387	2329	1186	2078
APY-A-C08-281-S-C5							2933	896	939	2991	1525	2673	4054	1380	1725	2991	1525	2673
APY-A-C08-281-S-C6													3290	943	875	3841	1961	3437
APY-A-C1-281-S-C4	2683	752	803	2896	1527	2592	4002	1321	1728	2896	1527	2592	5322	1891	2653	2896	1527	2592
APY-A-C1-281-S-C5							3449	998	1111	3513	1850	3145	4769	1568	2035	3513	1850	3145
APY-A-C1-281-S-C6													3877	1049	1038	4510	2369	4037
APY-A-C1-321-S-C4	3746	1126	1318	3513	1850	3145	5469	1870	2526	3513	1850	3145	7191	2614	3734	3513	1850	3145
APY-A-C1-321-S-C5							4577	1351	1529	4510	2369	4037	6299	2095	2736	4510	2369	4037
APY-A-C1-321-S-C6													5333	1556	1658	5588	2908	5003
APY-A-C1-401-S-C4	5764	1742	1960	5588	2908	5003	8455	2904	3848	5588	2908	5003	11147	4067	5735	5588	2908	5003
APY-A-C1-401-S-C5							7562	2385	2850	6586	3427	5896	10254	3548	4737	6586	3427	5896
APY-A-C1-351-S-C4	4206	1191	1269	4510	2369	4037	6267	2082	2714	4510	2369	4037	8329	2971	4159	4510	2369	4037
APY-A-C1-351-S-C5							5301	1542	1636	5588	2908	5003	7362	2432	3081	5588	2908	5003
APY-A-C1-351-S-C6													6469	1913	2084	6586	3427	5896
APY-A-C1-401-S-C6													9202	2937	3561	7762	4038	6948
APY-A-C2-401-S-C4	6634	1974	2066	6992	3605	6286	9863	3369	4331	6992	3605	6286	13093	4764	6569	6992	3605	6286
APY-A-C2-401-S-C5							8544	2612	2797	8526	4362	7606	11774	4007	5062	8526	4362	7606
APY-A-C2-401-S-C6													10413	3227	3553	10035	5143	8967
APY-A-C2-451-S-C4	8747	2699	2939	8526	4362	7606	12834	4465	5805	8526	4362	7606	16922	6230	8672	8526	4362	7606
APY-A-C2-451-S-C5							11473	3685	4297	10035	5143	8967	15561	5450	7163	10035	5143	8967
APY-A-C2-451-S-C6													13955	4530	5387	11810	6062	10573
APY-A-C3-451-S-C4	10462	3129	3512	10341	5404	9297	15401	5262	6976	10341	5404	9297	20341	7395	10439	10341	5404	9297
APY-A-C3-451-S-C5							13459	4134	4718	12599	6533	11239	18399	6267	8181	12599	6533	11239

SINGLE-ACTING SCOTCH YOKE ACTUATOR, TYP APY-A



Model	Air 4 Bar			Spring			Air 5 Bar			Spring			Air 6 Bar			Spring		
	0°	45°	90°	90°	45°	0°	0°	45°	90°	90°	45°	0°	0°	45°	90°	90°	45°	0°
APY-A-C3-451-S-C6													15442	4548	4894	15885	8251	14196
APY-A-C3-501-S-C4	13154	4001	4504	12599	6533	11239	19252	6635	8780	12599	6533	11239	25351	9268	13055	12599	6533	11239
APY-A-C3-501-S-C5							16295	4916	5493	15885	8251	14196	22393	7550	9769	15885	8251	14196
APY-A-C3-501-S-C6													19544	5893	6547	19107	9907	17045
APY-A-C3-561-S-C4	16403	4962	5568	15885	8251	14196	24052	8266	10932	15885	8251	14196	31702	11570	16295	15885	8251	14196
APY-A-C3-561-S-C5							21203	6610	7710	19107	9907	17045	28853	9913	13073	19107	9907	17045
APY-A-C3-561-S-C6													24249	7367	7955	24225	12454	21648
APY-A-C3-631-S-C4	21682	6817	8045	19107	9907	17045	31363	10998	14833	19107	9907	17045	41045	15179	21621	19107	9907	17045
APY-A-C3-631-S-C5							26759	8451	9715	24225	12454	21648	36441	12632	16503	24225	12454	21648
APY-A-C3-631-S-C6													30595	9432	10014	30714	15654	27495
APY-A-C4-631-S-C4	24808	7405	8376	24394	12779	21931	36493	12451	16569	24394	12779	21931	48177	17497	24761	24394	12779	21931
APY-A-C4-631-S-C5							30036	8689	9140	31822	16542	28388	41720	13735	17332	31822	16542	28388
APY-A-C4-631-S-C6													34624	9599	9446	39708	20677	35484
APY-A-C4-701-S-C4	29314	8377	8634	31822	16542	28388	43740	14607	18748	31822	16542	28388	58165	20837	28863	31822	16542	28388
APY-A-C4-701-S-C5							36644	10472	10863	39708	20677	35484	51069	16702	20977	39708	20677	35484
APY-A-C4-701-S-C6													43972	12566	12953	47732	24812	42581
APY-A-C4-801-S-C4	39883	11870	13133	39708	20677	35484	58723	20007	26344	39708	20677	35484	77565	28144	39554	39708	20677	35484
APY-A-C4-801-S-C5							51626	15871	18320	47732	24812	42581	70468	24008	31530	47732	24812	42581
APY-A-C4-801-S-C6													61951	19045	21884	57378	29775	51098
APY-A-C5-801-S-C4	46744	14581	15438	47367	24104	42834	69139	24251	31140	47367	24104	42834	91533	32997	46841	47367	24104	42834
APY-A-C5-801-S-C5							58441	18231	19339	59168	30124	53532	80835	26977	35040	59168	30124	53532
APY-A-C5-801-S-C6													70765	21157	23946	70262	35944	63602
APY-A-C5-901-S-C4	59840	18836	20320	59168	30124	53532	88183	31076	40192	59168	30124	53532	116526	43315	60065	59168	30124	53532
APY-A-C5-901-S-C5							78113	25256	29098	70262	35944	63602	106456	37495	48971	70262	35944	63602
APY-A-C5-901-S-C6													94492	30551	35797	83436	42889	75566
APY-A-C6-801-S-C4	62106	18566	19588	64958	33509	58480	92252	31585	40724	64958	33509	58480	122399	44604	61861	64958	33509	58480
APY-A-C6-801-S-C5							77616	23182	24235	81447	41912	73116	107763	36201	45372	81447	41912	73116
APY-A-C6-801-S-C6													90462	26269	26233	100586	51844	90417
APY-A-C6-901-S-C4	79500	23996	25557	81447	41912	73116	117654	40473	52307	81447	41912	73116	155808	56950	79058	81447	41912	73116
APY-A-C6-901-S-C5							100354	30540	33168	100586	51844	90417	138508	47017	59919	100586	51844	90417
APY-A-C6-901-S-C6													120348	36629	39438	121067	62233	108577
APY-A-C6-1001-S-C4	97999	29524	31517	100586	51844	90417	145102	49865	64543	100586	51844	90417	192206	70207	97569	100586	51844	90417
APY-A-C6-1001-S-C5							126942	39477	44062	121067	62233	108577	174046	59818	77088	121067	62233	108577
APY-A-C6-1001-S-C6													152238	47348	52436	145719	74703	130385

APY-A

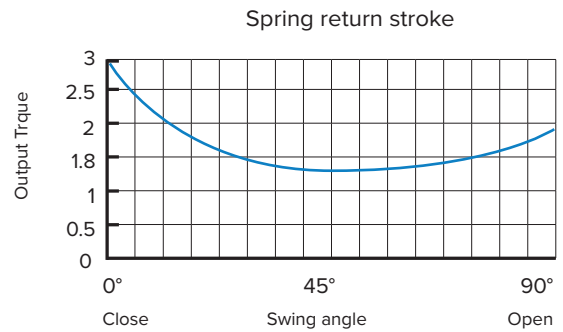
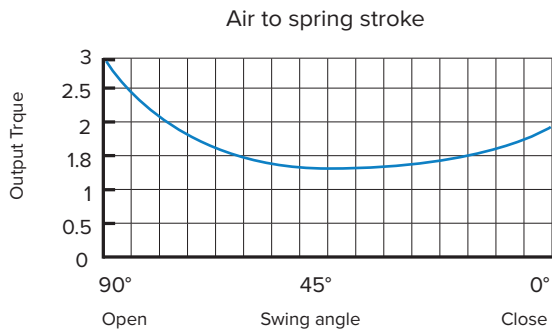
**WITH ASYMMETRICAL SWING ARM,
SINGLE-ACTING WITH SPRING RETURN,
SPRING "OPEN"**

TEMPERATURE RANGE:

ST= STANDARD (-40°C TO +80°C)

Modell	Air 4 Bar			Spring			Air 5 Bar			Spring			Air 6 Bar			Spring		
	90°	45°	0°	0°	45°	90°	90°	45°	0°	0°	45°	90°	90°	45°	0°	0°	45°	90°
APY-A-C06-201-S-O4	816	469	857	892	287	411	1122	657	1294	892	287	411	1429	846	1732	892	287	411
APY-A-C06-201-S-O5							1030	594	1093	1094	350	504	1337	783	1531	1094	350	504
APY-A-C06-201-S-O6													1224	706	1284	1340	427	617
APY-A-C06-221-S-O4	981	564	1023	1094	350	504	1352	792	1553	1094	350	504	1723	1021	2082	1094	350	504
APY-A-C06-221-S-O5							1239	715	1306	1340	427	617	1610	945	1836	1340	427	617
APY-A-C06-221-S-O6													1469	844	1530	1646	528	758
APY-A-C08-221-S-O4	1300	755	1353	1415	441	641	1785	1054	2045	1415	441	641	2271	1353	2737	1415	441	641
APY-A-C08-221-S-O5							1641	955	1712	1748	540	785	2127	1254	2404	1748	540	785
APY-A-C08-221-S-O6													1950	1132	1992	2160	662	962
APY-A-C08-251-S-O4	1721	1004	1826	1748	540	785	2348	1390	2720	1748	540	785	2974	1776	3614	1748	540	785
APY-A-C08-251-S-O5							2171	1268	2308	2160	662	962	2798	1655	3202	2160	662	962
APY-A-C08-251-S-O6													2541	1478	2632	2730	838	1218
APY-A-C08-281-SR-4	2182	1275	2324	2160	662	962	2968	1759	3446	2160	662	962	3754	2243	4567	2160	662	962
APY-A-C08-281-SR-5							2712	1583	2875	2730	838	1218	3498	2067	3997	2730	838	1218
APY-A-C08-281-SR-6													3190	1855	3301	3426	1050	1526
APY-A-C1-281-SR-4	2543	1479	2691	2585	799	1155	3468	2049	4009	2585	799	1155	4393	2618	5329	2585	799	1155
APY-A-C1-281-SR-5							3141	1809	3277	3318	1040	1483	4065	2378	4596	3318	1040	1483
APY-A-C1-281-SR-6													3645	2066	3656	4258	1352	1904
APY-A-C1-321-S-O4	3348	1936	3573	3318	1040	1483	4556	2680	5296	3318	1040	1483	5764	3425	7018	3318	1040	1483
APY-A-C1-321-S-O5							4136	2368	4356	4258	1352	1904	5343	3112	6078	4258	1352	1904
APY-A-C1-321-S-O6													4937	2826	5170	5166	1638	2310
APY-A-C1-351-S-O4	3876	2208	3985	4258	1352	1904	5321	3098	6046	4258	1352	1904	6766	3988	8107	4258	1352	1904
APY-A-C1-351-S-O5							4915	2812	5138	5166	1638	2310	6360	3702	7199	5166	1638	2310
APY-A-C1-351-S-O6													5705	3243	5732	6633	2097	2964
APY-A-C1-401-S-O4	5239	3012	5601	5166	1638	2310	7127	4174	8292	5166	1638	2310	9013	5337	10984	5166	1638	2310
APY-A-C1-401-S-O5							6472	3715	6825	6633	2097	2964	8359	4877	9517	6633	2097	2964
APY-A-C1-401-S-O6													7649	4400	7932	8218	2575	3674
APY-A-C2-401-S-O4	6225	3620	6509	6411	1960	2833	8490	5015	9739	6411	1960	2833	10754	6410	12969	6411	1960	2833
APY-A-C2-401-S-O5							7706	4473	8030	8119	2501	3617	9971	5868	11261	8119	2501	3617
APY-A-C2-401-S-O6													8971	5177	9097	10283	3192	4617
APY-A-C2-451-S-O4	7848	4560	8233	8119	2501	3617	10715	6326	12321	8119	2501	3617	13581	8091	16409	8119	2501	3617
APY-A-C2-451-S-O5							9715	5635	10157	10283	3192	4617	12581	7400	14245	10283	3192	4617
APY-A-C2-451-S-O6													11612	6730	11990	12538	3862	5585
APY-A-C3-451-S-O4	9364	5387	9602	10157	3146	4489	12827	7520	14541	10157	3146	4489	16290	9653	19481	10157	3146	4489

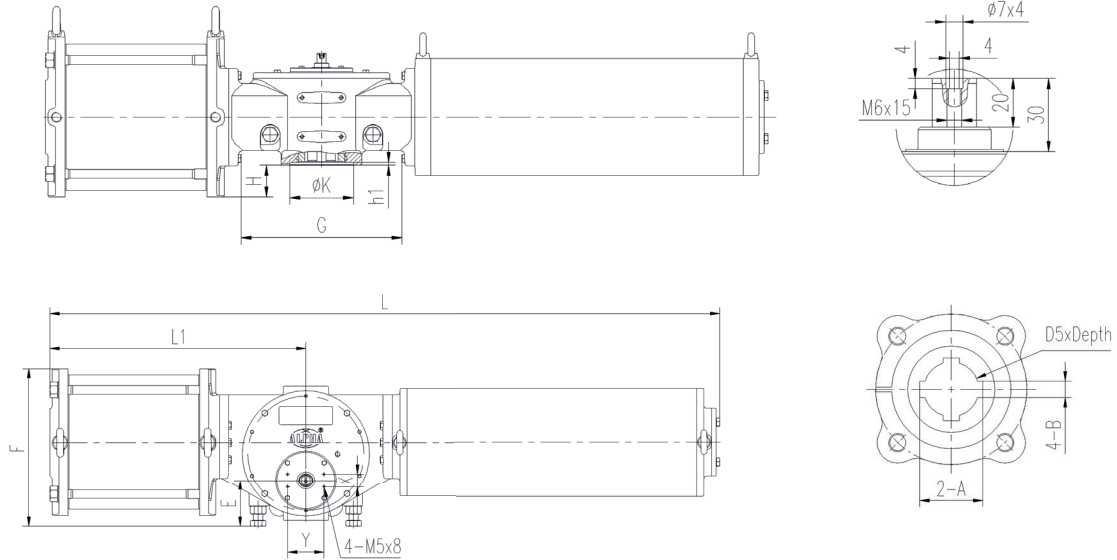
SINGLE-ACTING SCOTCH YOKE ACTUATOR, TYPE APY-A



Modell	Air 4 Bar			Spring			Air 5 Bar			Spring			Air 6 Bar			Spring		
	90°	45°	0°	0°	45°	90°	90°	45°	0°	0°	45°	90°	90°	45°	0°	0°	45°	90°
APY-A-C3-451-S-05							11780	6786	12270	12428	3880	5536	15243	8919	17210	12428	3880	5536
APY-A-C3-451-S-06													13952	8014	14431	15207	4785	6827
APY-A-C3-501-S-04	11567	6654	11965	12428	3880	5536	15842	9288	18063	12428	3880	5536	20118	11921	24162	12428	3880	5536
APY-A-C3-501-S-05							14551	8382	15284	15207	4785	6827	18827	11016	21383	15207	4785	6827
APY-A-C3-501-S-06													17401	10017	18062	18528	5784	8254
APY-A-C3-561-S-04	14626	8429	15392	15207	4785	6827	19990	11733	23041	15207	4785	6827	25353	15036	30691	15207	4785	6827
APY-A-C3-561-S-05							18563	10734	19720	18528	5784	8254	23927	14037	27370	18528	5784	8254
APY-A-C3-561-S-06													21755	12515	22537	23361	7306	10425
APY-A-C3-631-S-04	18899	10940	20199	18528	5784	8254	25687	15121	29880	18528	5784	8254	32475	19302	39562	18528	5784	8254
APY-A-C3-631-S-05							23515	13599	25047	23361	7306	10425	30303	17780	34729	23361	7306	10425
APY-A-C3-631-S-06													28211	16314	29991	28099	8772	12517
APY-A-C4-631-S-04	22465	12944	23425	23314	7240	10305	30657	17990	35110	23314	7240	10305	38849	23036	46794	23314	7240	10305
APY-A-C4-631-S-05							28079	16179	29504	28919	9051	12883	36272	21225	41189	28919	9051	12883
APY-A-C4-631-S-06													33049	18961	34235	35873	11315	16105
APY-A-C4-701-S-04	27574	15868	28783	28919	9051	12883	37688	22098	43208	28919	9051	12883	47802	28327	57634	28919	9051	12883
APY-A-C4-701-S-05							34465	19834	36255	35873	11315	16105	44580	26063	50680	35873	11315	16105
APY-A-C4-701-S-06													39838	22732	39755	46798	14646	20847
APY-A-C4-801-S-04	36736	21232	39494	35873	11315	16105	49947	29369	58334	35873	11315	16105	63157	37506	77176	35873	11315	16105
APY-A-C4-801-S-05							45205	26037	47410	46798	14646	20847	58415	34174	66251	46798	14646	20847
APY-A-C4-801-S-06													53203	30513	54655	58394	18308	26058
APY-A-C5-801-S-04	42979	25233	45407	44171	13452	19826	58681	34904	67802	44171	13452	19826	74382	43649	90196	44171	13452	19826
APY-A-C5-801-S-05							53534	31412	56504	55469	16944	24973	69235	40158	78898	55469	16944	24973
APY-A-C5-801-S-06													72752	35759	64709	69658	21342	31456
APY-A-C5-901-S-04	54515	32017	57903	55469	16944	24973	74387	44256	86246	55469	16944	24973	94260	56496	114589	55469	16944	24973
APY-A-C5-901-S-05							67904	39858	72057	69658	21342	31456	87777	52098	100400	69658	21342	31456
APY-A-C5-901-S-06													79920	46767	83046	87012	26672	39313
APY-A-C6-801-S-04	57865	33660	60719	59867	18415	26682	79001	46678	90865	59867	18415	26682	100137	59697	121012	59867	18415	26682
APY-A-C6-801-S-05	57865	33660	60719	59867	18415	26682	79001	46678	90865	59867	18415	26682	100137	59697	121012	59867	18415	26682
APY-A-C6-801-S-06							71831	41719	75109	75624	23374	33851	92968	54738	105255	75624	23374	33851
APY-A-C6-901-S-04	73153	42533	76993	75624	23374	33851	99903	59010	115147	75624	23374	33851	126654	75487	153301	75624	23374	33851
APY-A-C6-901-S-05							90808	52715	95243	95527	29669	42946	117559	69192	133398	95527	29669	42946
APY-A-C6-901-S-06													106810	61752	109149	119775	37109	53695
APY-A-C6-1001-S-04	89157	51699	92888	95527	29669	42946	122183	72040	139992	95527	29669	42946	155209	92382	187096	95527	29669	42946
APY-A-C6-1001-S-05							111434	64600	115743	119775	37109	53695	144460	84942	162848	119775	37109	53695
APY-A-C6-1001-S-06													131755	76147	134702	147921	45904	66400

APY-S/A

SINGLE-ACTING, OPEN/ CLOSED



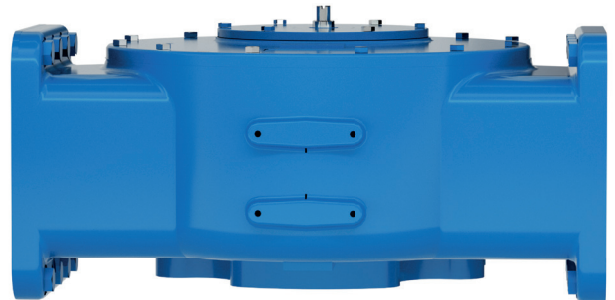
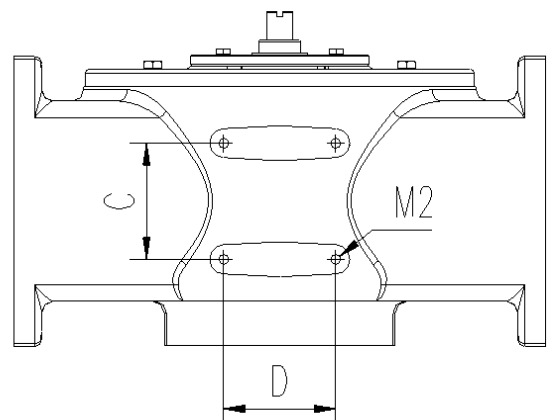
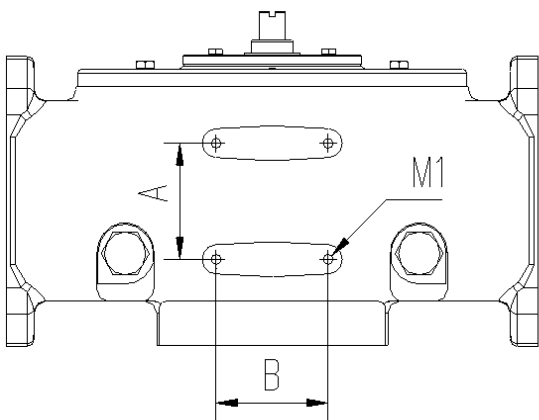
Type	L	L1	E	F	G	H	φK	h1	D5	A	B	X*Y	Connection ISO 5211	Air Supply
	mm													
APY-S/A-06-201-S-C/O-4	1200	470	100	285	280	35	100	5	φ48*65	55,6	14	30*80	F14	3/8"NPT(G)
APY-S/A-06-201-S-C/O-5	1200	470	100	285	280	35	100	5	φ48*65	55,6	14	30*80	F14	3/8"NPT(G)
APY-S/A-06-201-S-C/O-6	1200	470	100	285	280	35	100	5	φ48*65	55,6	14	30*80	F14	3/8"NPT(G)
APY-S/A-06-221-S-C/O-4	1200	470	100	295	280	45	100	5	φ48*65	55,6	14	30*80	F14	1/2"NPT(G)
APY-S/A-06-221-S-C/O-5	1200	470	100	295	280	45	100	5	φ48*65	55,6	14	30*80	F14	1/2"NPT(G)
APY-S/A-06-221-S-C/O-6	1200	470	100	295	280	45	100	5	φ48*65	55,6	14	30*80	F14	1/2"NPT(G)
APY-S/A-08-221-S-C/O-4	1460	565	110	320	320	35	130	6	φ60*100	68,8	18	30*80	F16	1/2"NPT(G)
APY-S/A-08-221-S-C/O-5	1460	565	110	320	320	35	130	6	φ60*100	68,8	18	30*80	F16	1/2"NPT(G)
APY-S/A-08-221-S-C/O-6	1460	565	110	320	320	35	130	6	φ60*100	68,8	18	30*80	F16	1/2"NPT(G)
APY-S/A-08-251-S-C/O-4	1460	565	110	335	320	50	130	6	φ60*100	68,8	18	30*80	F16	1/2"NPT(G)
APY-S/A-08-251-S-C/O-5	1460	565	110	335	320	50	130	6	φ60*100	68,8	18	30*80	F16	1/2"NPT(G)
APY-S/A-08-251-S-C/O-6	1460	565	110	335	320	50	130	6	φ60*100	68,8	18	30*80	F16	1/2"NPT(G)
APY-S/A-08-281-S-C/O-4	1480	565	110	355	320	65	130	6	φ60*100	68,8	18	30*80	F16	1/2"NPT(G)
APY-S/A-08-281-S-C/O-5	1480	565	110	355	320	65	130	6	φ60*100	68,8	18	30*80	F16	1/2"NPT(G)
APY-S/A-08-281-S-C/O-6	1480	565	110	355	320	65	130	6	φ60*100	68,8	18	30*80	F16	1/2"NPT(G)
APY-S/A-1-281-S-C/O-4	1705	660	155	420	380	65	130	6	φ72*120	81,8	20	30*80/130	F25/F16	1/2"NPT(G)
APY-S/A-1-281-S-C/O-5	1705	660	155	420	380	65	130	6	φ72*120	81,8	20	30*80/130	F25/F16	1/2"NPT(G)
APY-S/A-1-281-S-C/O-6	1705	660	155	420	380	65	130	6	φ72*120	81,8	20	30*80/130	F25/F16	1/2"NPT(G)
APY-S/A-1-321-S-C/O-4	1710	670	155	435	380	80	130	6	φ72*120	81,8	20	30*80/130	F25/F16	1/2"NPT(G)
APY-S/A-1-321-S-C/O-5	1710	670	155	435	380	80	130	6	φ72*120	81,8	20	30*80/130	F25/F16	1/2"NPT(G)
APY-S/A-1-321-S-C/O-6	1710	670	155	435	380	80	130	6	φ72*120	81,8	20	30*80/130	F25/F16	1/2"NPT(G)
APY-S/A-1-351-S-C/O-4	1745	680	155	460	380	100	130	6	φ72*120	81,8	20	30*80/130	F25/F16	3/4"NPT(G)
APY-S/A-1-351-S-C/O-5	1745	680	155	460	380	100	130	6	φ72*120	81,8	20	30*80/130	F25/F16	3/4"NPT(G)
APY-S/A-1-351-S-C/O-6	1745	680	155	460	380	100	130	6	φ72*120	81,8	20	30*80/130	F25/F16	3/4"NPT(G)
APY-S/A-1-401-S-C/O-4	1750	685	155	475	380	125	130	6	φ72*120	81,8	20	30*80/130	F25/F16	1"NPT(G)
APY-S/A-1-401-S-C/O-5	1750	685	155	475	380	125	130	6	φ72*120	81,8	20	30*80/130	F25/F16	1"NPT(G)
APY-S/A-1-401-S-C/O-6	1750	685	155	475	380	125	130	6	φ72*120	81,8	20	30*80/130	F25/F16	1"NPT(G)

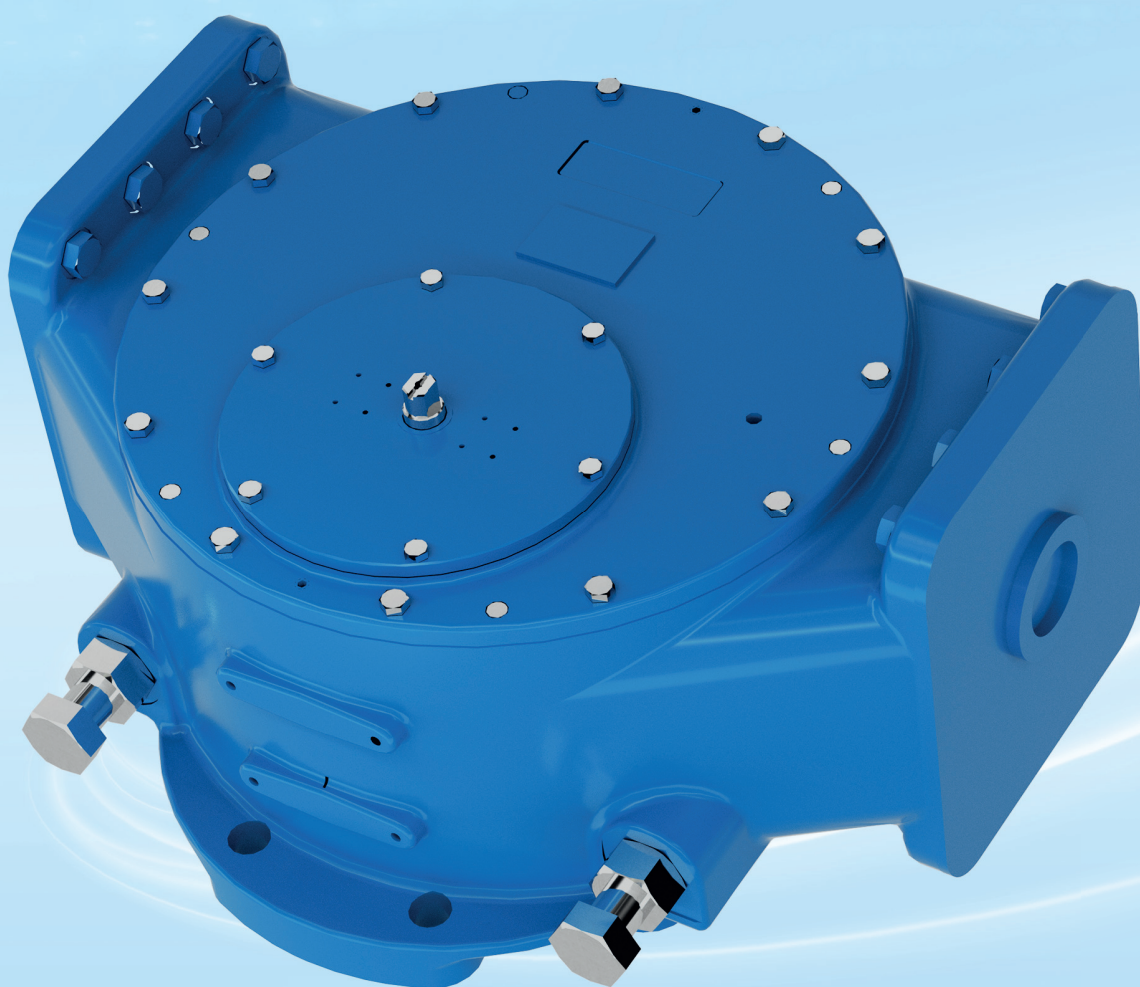
APY-S/A ACTUATORS SINGLE-ACTING, OPEN/CLOSED

Type	L	L1	E	F	G	H	φK	h1	D5	A	B	X*Y	Connection ISO 5211	Air Supply
	mm													
APY-S/A-2-401-S-C/O-4	2025	790	180	525	455	115	200	6	φ100*150	112,8	28	30*80/130	F30/F25	1"NPT(G)
APY-S/A-2-401-S-C/O-5	2025	790	180	525	455	115	200	6	φ100*150	112,8	28	30*80/130	F30/F25	1"NPT(G)
APY-S/A-2-401-S-C/O-6	2025	790	180	525	455	115	200	6	φ100*150	112,8	28	30*80/130	F30/F25	1"NPT(G)
APY-S/A-2-451-S-C/O-4	2025	805	180	560	455	150	200	6	φ100*150	112,8	28	30*80/130	F30/F25	1"NPT(G)
APY-S/A-2-451-S-C/O-5	2025	805	180	560	455	150	200	6	φ100*150	112,8	28	30*80/130	F30/F25	1"NPT(G)
APY-S/A-2-451-S-C/O-6	2040	805	180	560	455	150	200	6	φ100*150	112,8	28	30*80/130	F30/F25	1"NPT(G)
APY-S/A-3-451-S-C/O-4	2390	945	210	620	580	120	230	6	φ160*200	178,8	40	30*80/130	F35/F30	1"NPT(G)
APY-S/A-3-451-S-C/O-5	2340	945	210	620	580	120	230	6	φ160*200	178,8	40	30*80/130	F35/F30	1"NPT(G)
APY-S/A-3-451-S-C/O-6	2340	945	210	620	580	120	230	6	φ160*200	178,8	40	30*80/130	F35/F30	1"NPT(G)
APY-S/A-3-501-S-C/O-4	2340	945	210	645	580	150	230	6	φ160*200	178,8	40	30*80/130	F35/F30	1"NPT(G)
APY-S/A-3-501-S-C/O-5	2340	945	210	645	580	150	230	6	φ160*200	178,8	40	30*80/130	F35/F30	1"NPT(G)
APY-S/A-3-501-S-C/O-6	2340	945	210	645	580	150	230	6	φ160*200	178,8	40	30*80/130	F35/F30	1"NPT(G)
APY-S/A-3-561-S-C/O-4	2390	960	210	680	580	180	230	6	φ160*200	178,8	40	30*80/130	F35/F30	1"NPT(G)
APY-S/A-3-561-S-C/O-5	2390	960	210	680	580	180	230	6	φ160*200	178,8	40	30*80/130	F35/F30	1"NPT(G)
APY-S/A-3-561-S-C/O-6	2390	960	210	680	580	180	230	6	φ160*200	178,8	40	30*80/130	F35/F30	1"NPT(G)
APY-S/A-3-631-S-C/O-4	2340	930	210	740	580	230	230	6	φ160*200	178,8	40	30*80/130	F35/F30	1"NPT(G)
APY-S/A-3-631-S-C/O-5	2340	930	210	740	580	230	230	6	φ160*200	178,8	40	30*80/130	F35/F30	1"NPT(G)
APY-S/A-3-631-S-C/O-6	2340	930	210	740	580	230	230	6	φ160*200	178,8	40	30*80/130	F35/F30	1"NPT(G)
APY-S/A-4-631-S-C/O-4	2830	1080	240	790	650	205	300	8	Ø180x220	200,8	45	30*80/130	F40	1"NPT(G)
APY-S/A-4-631-S-C/O-5	2850	1080	240	790	650	205	300	8	Ø180x220	200,8	45	30*80/130	F40	1"NPT(G)
APY-S/A-4-631-S-C/O-6	2850	1080	240	790	650	205	300	8	Ø180x220	200,8	45	30*80/130	F40	1"NPT(G)
APY-S/A-4-701-S-C/O-4	2880	1105	240	820	650	240	300	8	Ø180x220	200,8	45	30*80/130	F40	1 1/2"NPT(G)
APY-S/A-4-701-S-C/O-5	2900	1105	240	820	650	240	300	8	Ø180x220	200,8	45	30*80/130	F40	1 1/2"NPT(G)
APY-S/A-4-701-S-C/O-6	2900	1305	240	820	650	240	300	8	Ø180x220	200,8	45	30*80/130	F40	1 1/2"NPT(G)
APY-S/A-4-801-S-C/O-4	2925	1305	240	910	650	290	300	8	Ø180x220	200,8	45	30*80/130	F40	1 1/2"NPT(G)
APY-S/A-4-801-S-C/O-5	2860	1305	240	910	650	290	300	8	Ø180x220	200,8	45	30*80/130	F40	1 1/2"NPT(G)
APY-S/A-4-801-S-C/O-6	2950	1305	240	910	650	290	300	8	Ø180x220	200,8	45	30*80/130	F40	1 1/2"NPT(G)
APY-S/A-5-801-S-C/O-4	3390	1305	290	980	890	255	300	8	Ø220x250	242,8	50	30*130	F48/F40	1 1/2"NPT(G)
APY-S/A-5-801-S-C/O-5	3410	1305	290	980	890	255	300	8	Ø220x250	242,8	50	30*130	F48/F40	1 1/2"NPT(G)
APY-S/A-5-801-S-C/O-6	3410	1305	290	980	890	255	300	8	Ø220x250	242,8	50	30*130	F48/F40	1 1/2"NPT(G)
APY-S/A-5-901-S-C/O-4	3430	1325	290	1030	890	305	300	8	Ø220x250	242,8	50	30*130	F48/F40	2"NPT(G)
APY-S/A-5-901-S-C/O-5	3430	1325	290	1030	890	305	300	8	Ø220x250	242,8	50	30*130	F48/F40	2"NPT(G)
APY-S/A-5-901-S-C/O-6	3430	1325	290	1030	890	305	300	8	Ø220x250	242,8	50	30*130	F48/F40	2"NPT(G)
APY-S/A-6-801-S-C/O-4	4100	1555	350	1040	1000	255	370	8	Ø280x320	304,8	63	30*130	F60/F48	1 1/2"NPT(G)
APY-S/A-6-801-S-C/O-5	4100	1555	350	1040	1000	255	370	8	Ø280x320	304,8	63	30*130	F60/F48	1 1/2"NPT(G)
APY-S/A-6-801-S-C/O-6	4100	1555	350	1040	1000	255	370	8	Ø280x320	304,8	63	30*130	F60/F48	1 1/2"NPT(G)
APY-S/A-6-901-S-C/O-4	4200	1555	350	1090	1000	305	370	8	Ø280x320	304,8	63	30*130	F60/F48	2"NPT(G)
APY-S/A-6-901-S-C/O-5	4260	1555	350	1090	1000	305	370	8	Ø280x320	304,8	63	30*130	F60/F48	2"NPT(G)
APY-S/A-6-901-S-C/O-6	4320	1555	350	1090	1000	305	370	8	Ø280x320	304,8	63	30*130	F60/F48	2"NPT(G)
APY-S/A-6-1001-S-C/O-4	4260	1555	350	1140	1000	355	370	8	Ø280x320	304,8	63	30*130	F60/F48	2"NPT(G)
APY-S/A-6-1001-S-C/O-5	4320	1555	350	1140	1000	355	370	8	Ø280x320	304,8	63	30*130	F60/F48	2"NPT(G)
APY-S/A-6-1001-S-C/O-6	4380	1555	350	1140	1000	355	370	8	Ø280x320	304,8	63	30*130	F60/F48	2"NPT(G)

CONNECTION DIMENSION HOUSING

Type	A×B	C×D	M1	M2
S-06/A-06	60×60	60×60	4-M8x16	4-M8x16
S-08/A-08	80×80	80×80	4-M8x16	4-M8x16
S-1/A-1	80×80	80×80	4-M8x16	4-M8x16
S-2/A-2	80×80	80×80	4-M8x16	4-M8x16
S-3/A-3	100×100	100×100	4-M10x18	4-M10x18
S-4/A-4	100×100	100×100	4-M10x18	4-M10x18
S-5/A-5	130×130	130×130	4-M12x18	4-M12x18
S-6/A-6	130×130	130×130	4-M12x18	4-M12x18



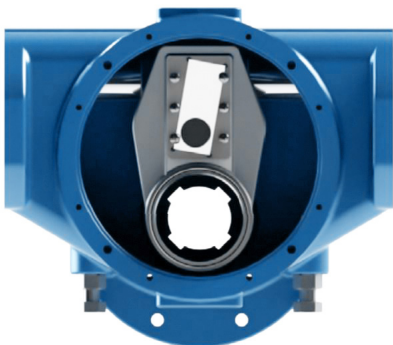


EXAMPLES ACTUATOR SELECTION

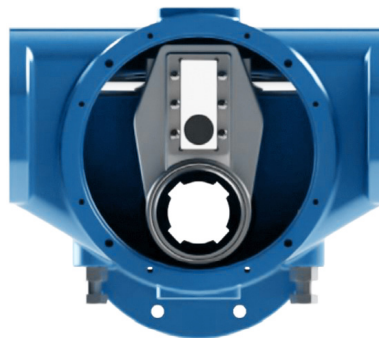
When selecting actuators, we can choose more economical actuators if we know the breakaway torque (BTO) and the running torque (RTO) of the valve in question. The following are examples of actuator selection for ball valves and butterfly valves. Actuators for ball valves should be selected with a symmetrical swing arm (S) and butterfly valves with an asymmetrical swing arm (A).

SWING SHAPES

Asymmetric swing arm (A)
for butterfly valves



Symetrical rocker (S).
For ball valves



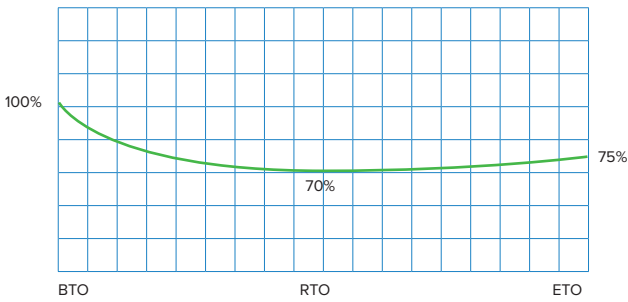
CHARACTERISTICS

■ Spring return operating curve

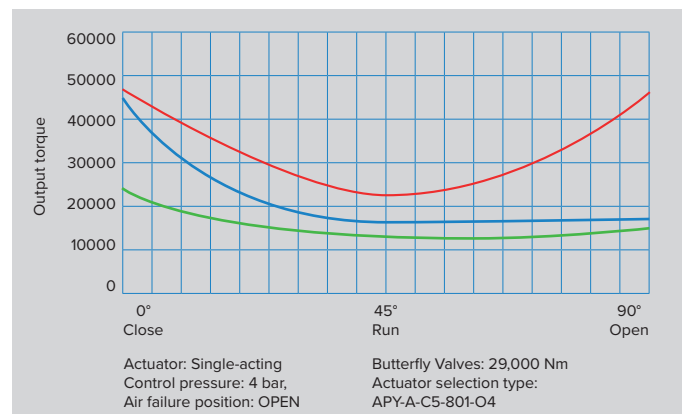
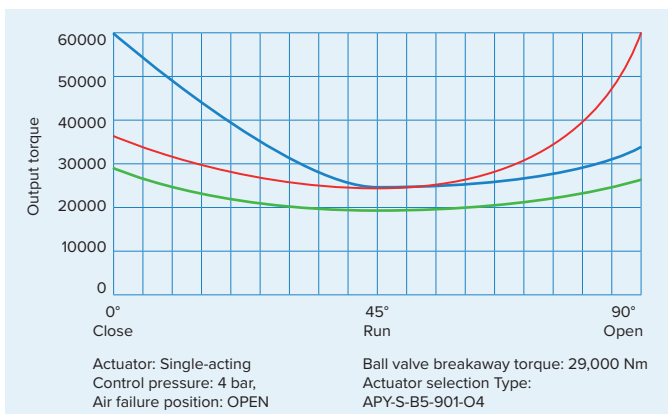
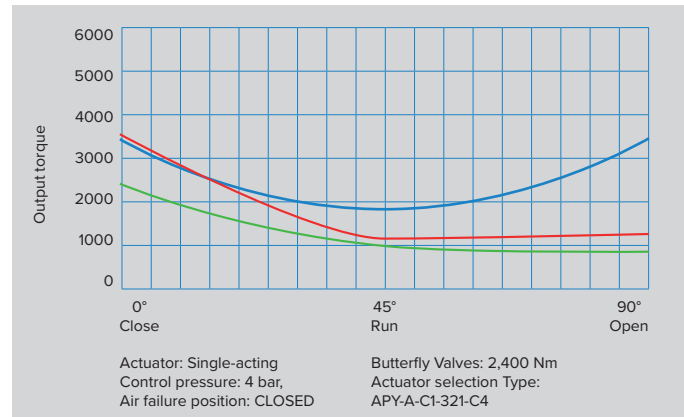
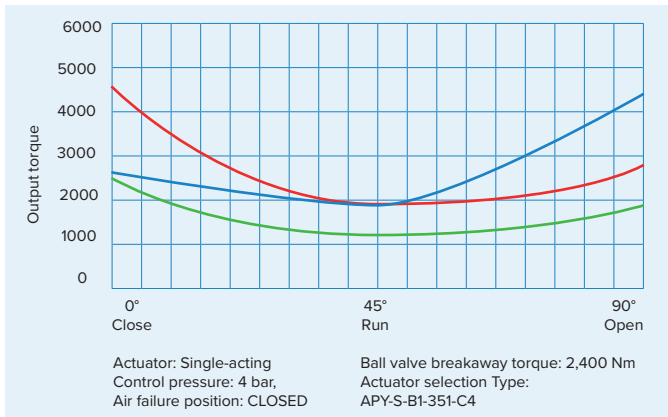
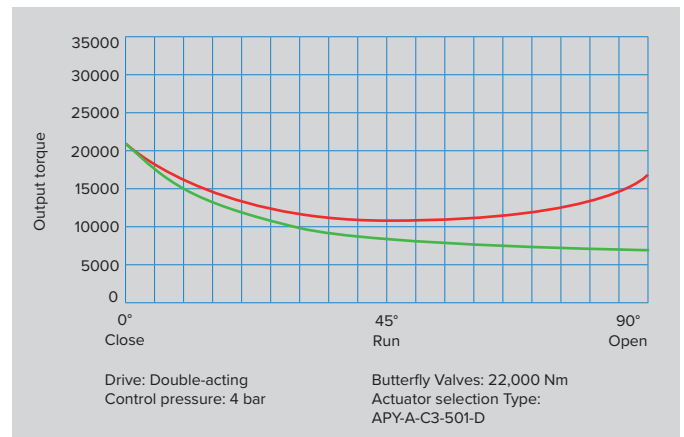
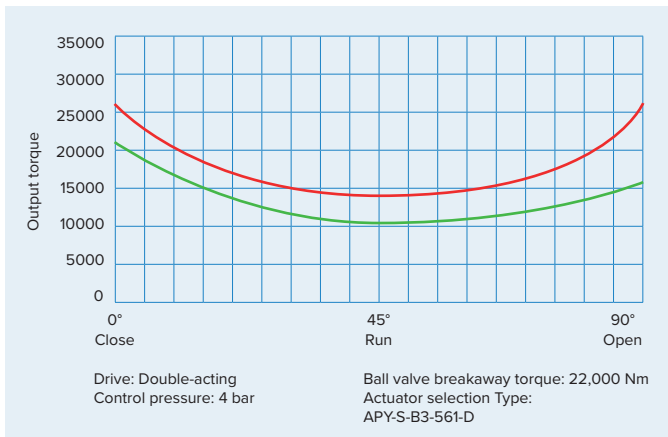
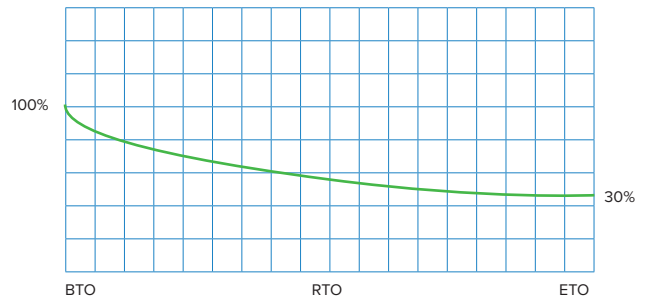
■ Air to spring operating curve

■ Ball valve (butterfly valve) operating curve

Ball valve operating curve



Butterfly valve operating curve



APY-ACTUATOR

DOUBLE-ACTING

APY-Drives			
Type	Weight (kg)	Handwheel weight with (kg)	Hand/Hydraulics weight with (kg)
APY-B/C06-A6:D32	34	45	-
APY-B/C08-221-D	105	120	-
APY-B/C08-251-D	115	125	-
APY-B/C1-281-D	152	185	202
APY-B/C1-321-D	165	198	215
APY-B/C1-351-D	196	229	246
APY-B/C2-351-D	250	-	315
APY-B/C2-401-D	277	-	352
APY-B/C2-451-D	311	-	385
APY-B/C3-451-D	441	-	514
APY-B/C3-501-D	516	-	593
APY-B/C3-561-D	573	-	653
APY-B/C3-601-D	678	-	729
APY-B/C4-561-D	780	-	835
APY-B/C4-601-D	830	-	888
APY-B/C4-631-D	846	-	842
APY-B/C4-701-D	1055	-	1100
APY-B/C4-502-D	1080	-	1130
APY-B/C4-562-D	1200	-	1256
APY-B/C4-801-D	1135	-	1200
APY-B/C5-701-D	1230	-	1305
APY-B/C5-562-D	1541	-	1632
APY-B/C5-801-D	1360	-	1432
APY-B/C5-602-D	1797	-	1867
APY-B/C5-632-D	1826	-	1906
APY-B/C5-901-D	2010	-	2086
APY-B/C5-702-D	1870	-	1948
APY-B/C5-1001-D	1490	-	1562
APY-B/C6-901-D	3002	-	3097
APY-B/C6-702-D	2330	-	2412
APY-B/C6-1001-D	3163	-	3247
APY-B/C6-802-D	2581	-	2666
APY-B/C6-902-D	2853	-	0

APY SERIES PNEUMATIC ACTUATOR



APY-ACTUATOR

SINGLE-ACTING

APY-Drives				
Type	Weight (kg)	Handwheel weight with (kg)	Hand/Hydraulics weight with (kg)	HN/Gearbox weight with (kg)
APY-B/C06-201-S4	105	115	-	-
APY-B/C06-201-S5	110	120	-	-
APY-B/C06-201-S6				
APY-B/C06-221-S4	111	122	-	-
APY-B/C06-221-S5	120	134	-	-
APY-B/C06-221-S6				
APY-B/C08-221-S4	166	178	-	-
APY-B/C08-221-S5	170	183	-	-
APY-B/C08-221-S6				
APY-B/C08-251-S4	177	190	-	-
APY-B/C08-251-S5	203	195	-	-
APY-B/C08-251-S6				
APY-B/C08-281-S4	201	214	-	-
APY-B/C08-281-S5	207	220	-	-
APY-B/C08-281-S6				
APY-B/C1-281-S4	277	300	311	318
APY-B/C1-281-S5	289	308	323	330
APY-B/C1-281-S6				
APY-B/C1-321-S4	302	325	336	343
APY-B/C1-321-S5	313	383	347	354
APY-B/C1-321-S6				
APY-B/C1-351-S4	342	388	374	385
APY-B/C1-351-S5	352	-	386	395
APY-B/C1-351-S6				
APY-B/C1-401-S4	375	400	410	421
APY-B/C1-401-S5	388	-	415	430
APY-B/C1-401-S6				
APY-B/C2-401-S4	559	-	589	601
APY-B/C2-401-S5	550	-	625	678
APY-B/C2-401-S6				
APY-B/C2-451-S4	598	-	645	705
APY-B/C2-451-S5	658	-	907	773
APY-B/C2-451-S6				
APY-B/C3-451-S4	817	-	848	937
APY-B/C3-451-S5	833	-	880	956
APY-B/C3-451-S6				

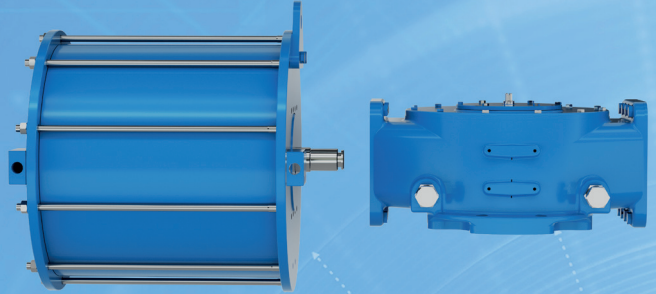
APY-ACTUATOR

SINGLE-ACTING

APY-Drives				
Type	Weight (kg)	Handwheel weight with (kg)	Hand/Hydraulics weight with (kg)	HN/Gearbox weight with (kg)
APY-B/C3-501-S4	906	-	971	1030
APY-B/C3-501-S4	906	-	971	1030
APY-B/C3-501-S5	936	-	986	1060
APY-B/C3-501-S6				
APY-B/C3-561-S4	992	-	1086	1162
APY-B/C3-561-S5	1050	-	1072	1166
APY-B/C3-561-S6				
APY-B/C3-631-S4	1098	-	1172	1205
APY-B/C3-631-S5	1165	-	1239	1285
APY-B/C3-631-S6				
APY-B/C4-631-S4	1500	-	1586	-
APY-B/C4-631-S5	1580	-	1650	-
APY-B/C4-631-S6				
APY-B/C4-701-S4	1801	-	1871	-
APY-B/C4-701-S5	1872	-	1947	-
APY-B/C4-701-S6				
APY-B/C4-801-S4	1916	-	2008	-
APY-B/C4-801-S5	1989	-	2081	-
APY-B/C4-801-S6				
APY-B/C5-801-S4	2141	-	2237	-
APY-B/C5-801-S5	2216	-	2294	-
APY-B/C5-801-S6				
APY-B/C5-901-S4	2790	-	2876	-
APY-B/C5-901-S5	2868	-	2957	-
APY-B/C5-901-S6				
APY-B/C6-801-S4	2812	-	2897	-
APY-B/C6-801-S5	2866	-	2958	-
APY-B/C6-801-S6				
APY-B/C6-901-S4	3788	-	3881	-
APY-B/C6-901-S5	3876	-	3968	-
APY-B/C6-901-S6				
APY-B/C6-1001-S4	3926	-	4021	-
APY-B/C6-1001-S5	4009	-	4105	-
APY-B/C6-1001-S6				

1

DOUBLE ACTING WITH
ONE CYLINDER

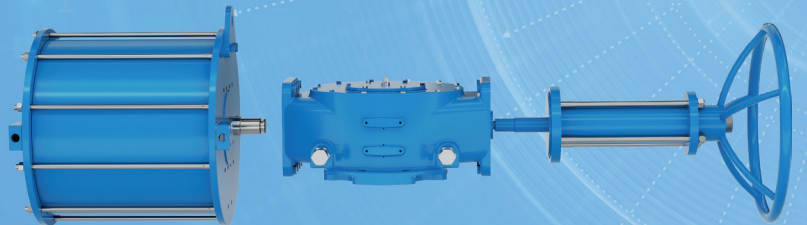


DOUBLE ACTING WITH
TWO CYLINDERS

2

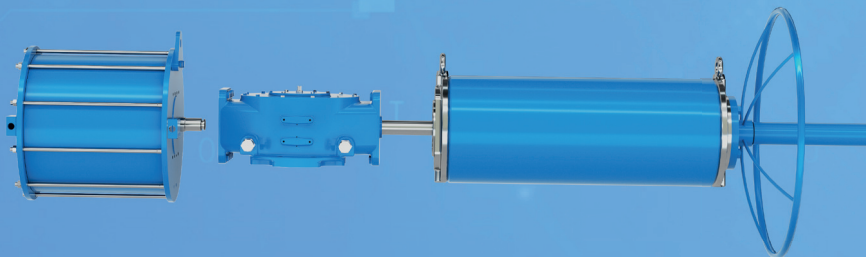
3

DOUBLE ACTING WITH
MANUAL OVERRIDE



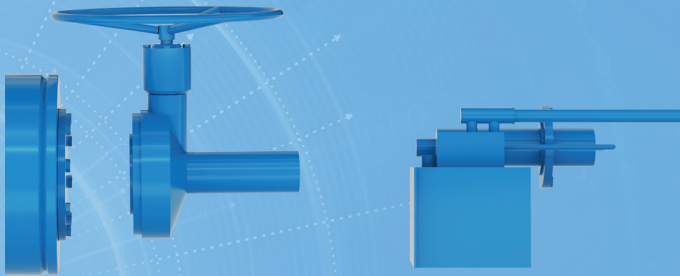
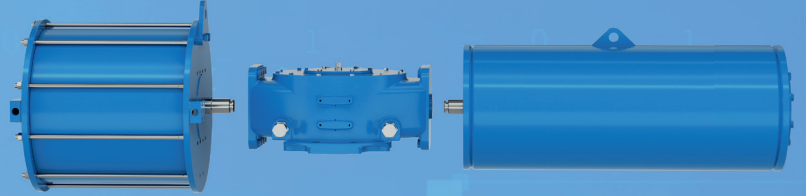
SINGLE-ACTING
WITH HANDWHEEL

4



5

SINGLE-ACTING

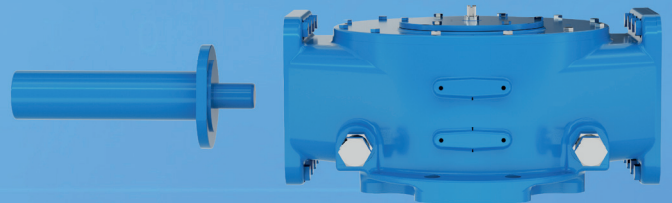


MANUAL GEARBOX
HYDRAULIC MANUAL OPERATION

6

7

DOUBLE ACTING WITH
ONE HYDRAULIC CYLINDER



DOUBLE ACTING WITH
TWO HYDRAULIC CYLINDERS

8

ORDER CODE

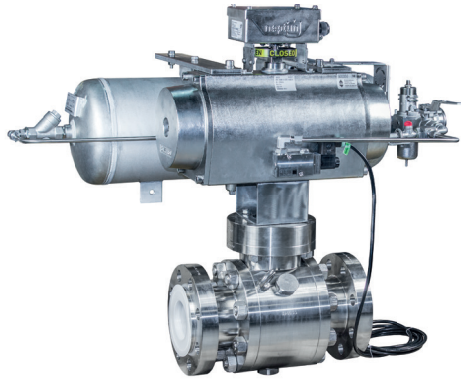
ORDER EXAMPLES APY-SRC-C1-281-S-4-ST

1	2	3	4	5	6	7	8	9	10
APY	S	C1	281	S	04	H	ST	F 16	V 46
Series	Swing arm	Housing	Cylinder	Cylinder	Spring	HN Operation	Temperature range	ISO 5211 Connection	Shaft dimension

1	Series	APY
2	Swing arm	S = symetric A = asymmetric
3	Housing	B/C 06 B/C 08 B/C 1 to B/C 6
4	Cylinder	281 321 352 to 1001
5	Function	D = double-acting S = single-acting
6	Spring	O = Spring "Open" C = Spring "Close" 4 = Spring index 5 = Spring index
7	HN-Operation	S = Handwheel / spindle G = Gearbox / Handwheel H = Hydraulics / hand pump
8	Temperature range	ST = Standard (-40°C to +80°C) HT = High temperature (-20°C to +150°C) C = Customized
9	ISO 5211 Connection	F 14 to F60
10	Shaft recording	V = Square according to ISO 5211 / DIN 3337 Z = Two-flat R = Bore with key according to ISO 5211



| NOTES

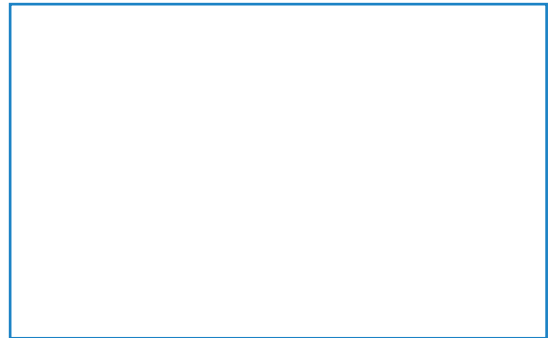




Abundant through
our distribution partner:

Auf der Hohl 7
53547 Dattenberg
Germany

☎ 0049-2644-40697-0
📠 0049-2644-40697-99
sales@airpower-gmbh.com



www.airpower-gmbh.com